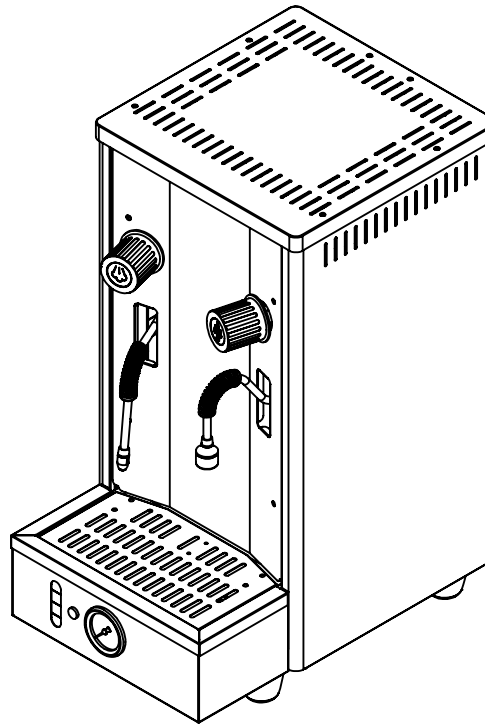


Gino Creation Co., Ltd.

Spare parts contents

Model No:GEH-300
Ver. A



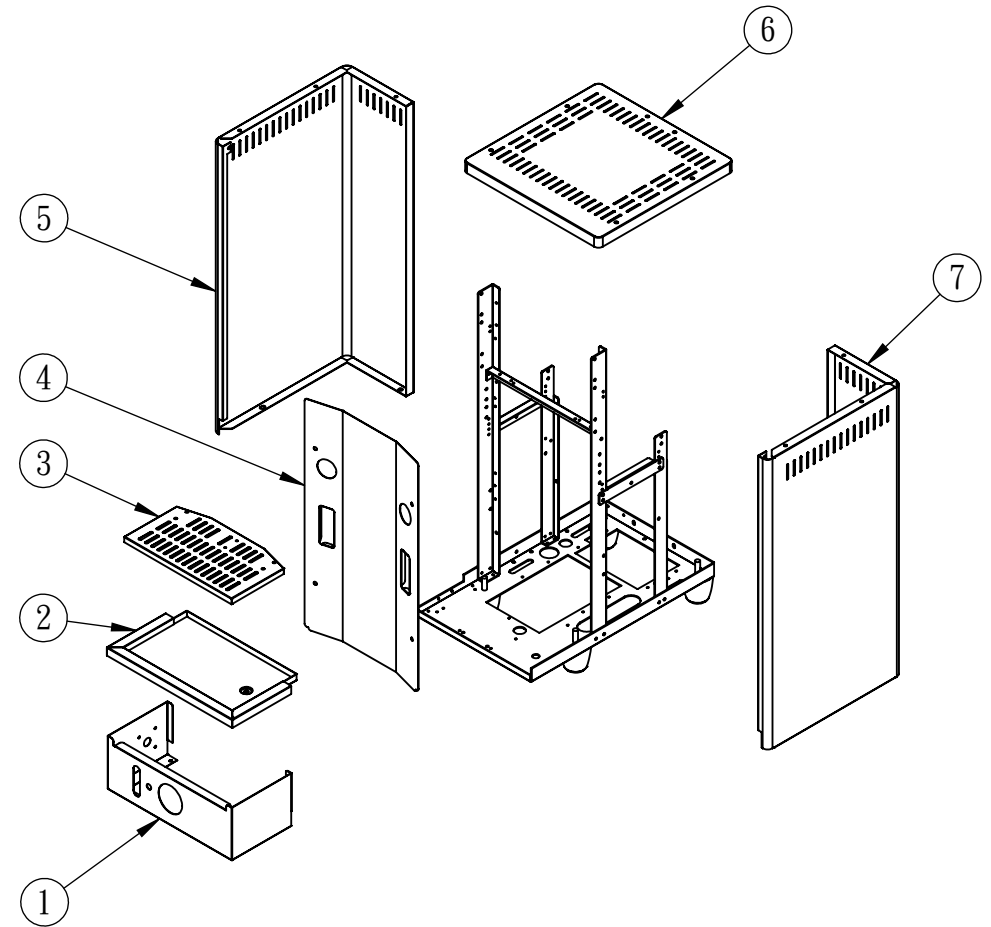
2014/11/26

Contents

1. Outer appearance.....	3
2. Frame construction.....	4
3. Boiler & drainage system.....	5
4. Water inlet and control system....	6
5. Push pad control system.....	7
6. Wiring system.....	8
7. IC board connecting position.....	9

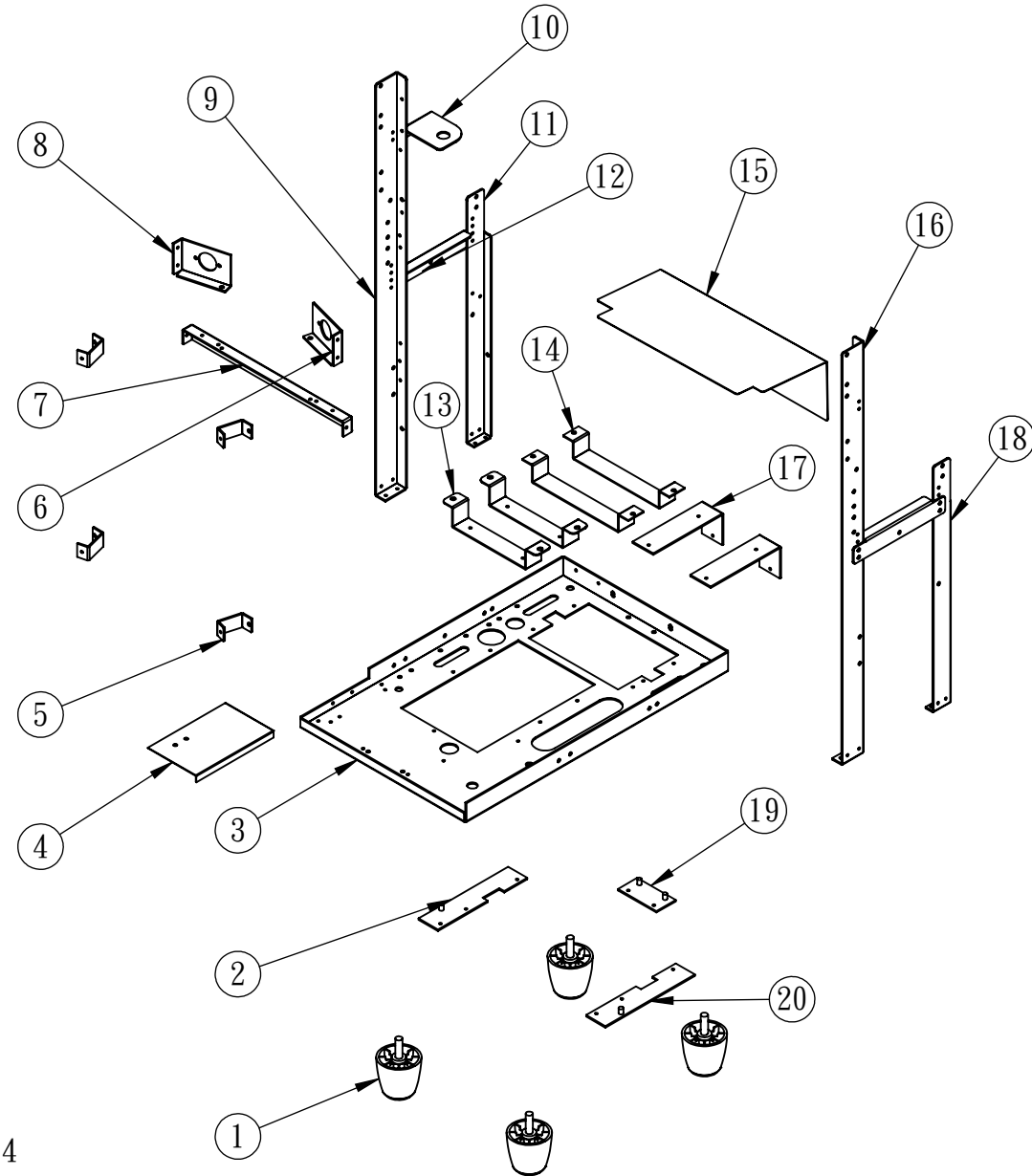
1. Outer appearance

Item.	Parts No.	Description	Qty.
1	5402S	front down panel	1
2	5403S	Water tray	1
3	5406S	Cup holder	1
4	5404S	Middle panel	1
5	5418	Left panel	1
6	5420	Top cover	1
7	5419	Right panel	1



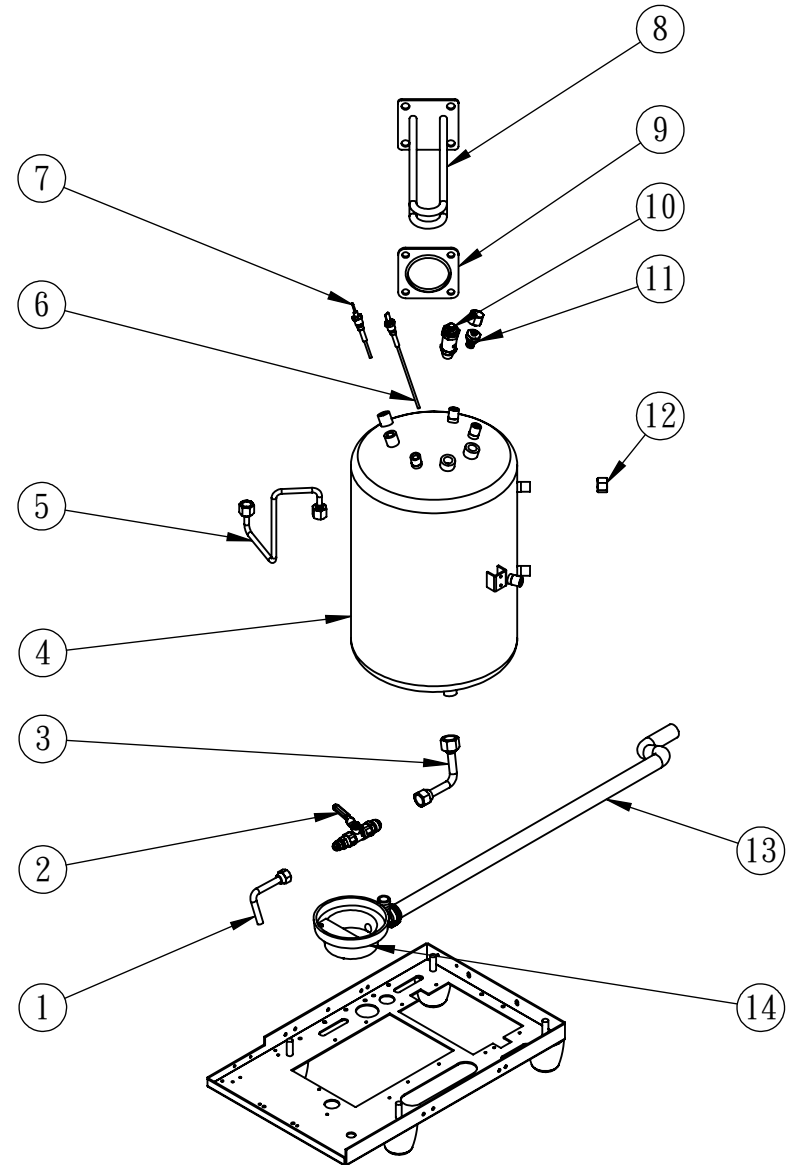
2. Frame construction

Item.	Parts No.	Description	Qty.
1	S843	Fixed stand	4
2	5510	Left side support	1
3	5501	Base	1
4	5610	Power switch cover	1
5	5513	Hook	4
6	5607-1	Steam valve stand(right)	1
7	5514	Front support	1
8	5606-1	Steam valve stand(left)	1
9	5504	Front left frame	1
10	5602	Pressure switch stand	1
11	5506-1	Back left frame	1
12	55019	Right(Left) side support	2
13	5603	Motor base	2
14	5604	Transformer base	2
15	5674	Water-retaining plate	1
16	5505	Front right frame	1
17	5605	IC box stand	2
18	5507-1	Back right frame	1
19	5512	Back side support	1
20	5511	Right side support	1



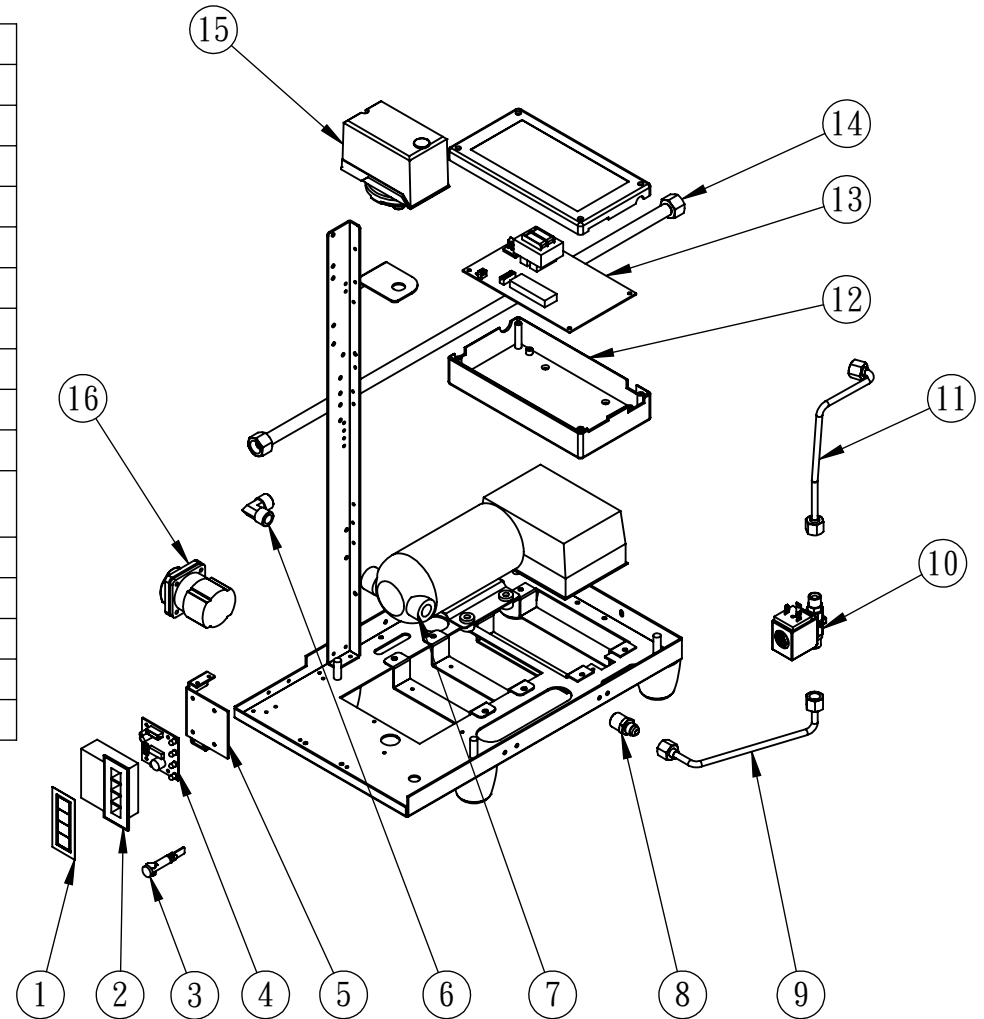
3. Boiler & drainage system

Item.	Parts No.	Description	Qty.
1	S111	Boiler drain pipe(rear)	1
2	S845	Drain valve	1
3	S110	Boiler drain pipe(front)	1
4	S225	Boiler	1
5	S106	Pressure control pipe	1
6	S876	Long probe	1
7	S822	Short Probe	1
8	4605	Heating element	1
9	5783	Washer	1
10	S826	Safety valve	1
11	S801	Anti-depression valve	1
12	5260	Stopper	2
13	S836	Drain pipe	1
14	5809	Drain tub	1



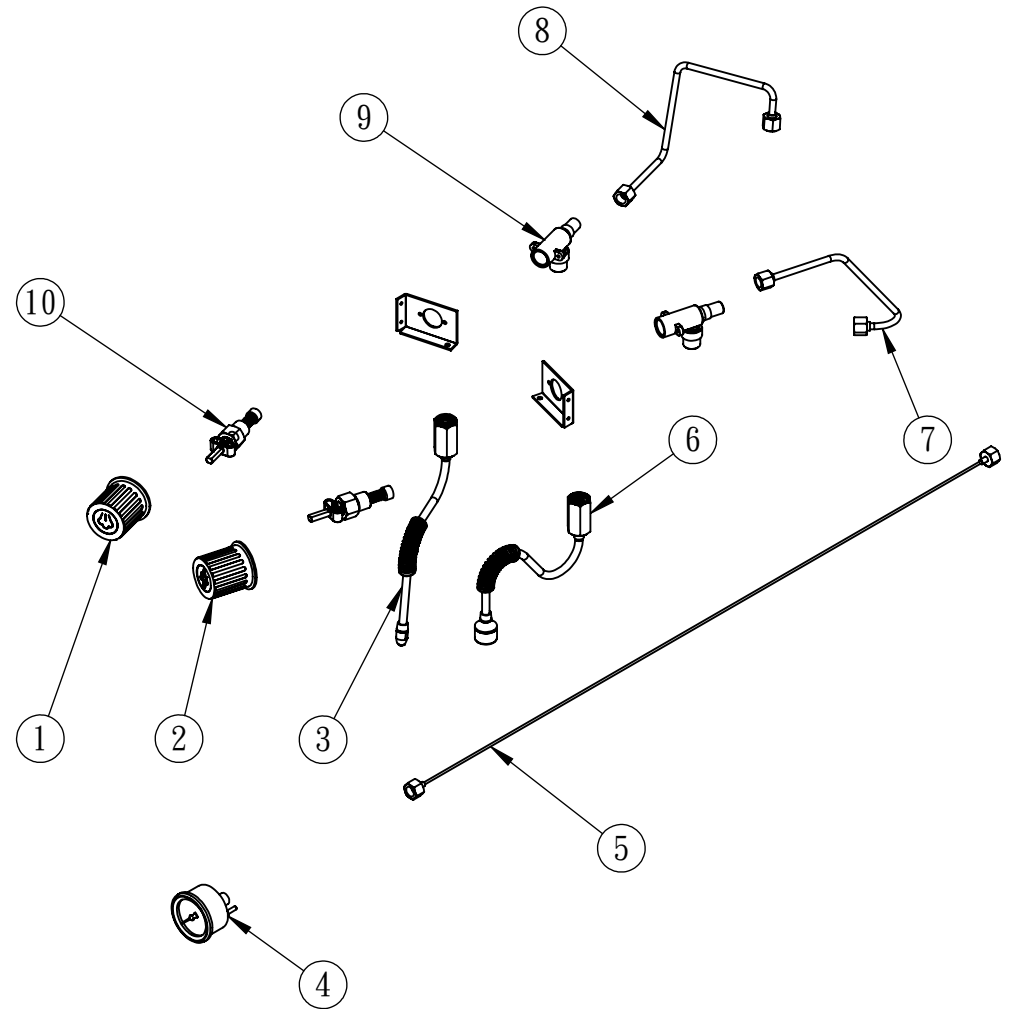
4. Water inlet and control system

Item.	Parts No.	Description	Qty.
1	6212	Water level indicate	1
2	5807	Water level display case	1
3	4206	Power indicate light	1
4	4104	IC board for water level display	1
5	5601	Water level sidplay stand	1
6	2527	Connector	1
7	4216	Motor with transformer	1
8	2505	Connector	1
9	S12019-1	Water outlet pipe	1
10	S8002	2-way solenoid	1
11	S12018-1	Big boiler cold water inlet pipe	1
12	5808	IC box	1
13	4108	IC board	1
14	S505	Flex hose	1
15	4502	Pressure switch	1
16	4204	Power switch	1



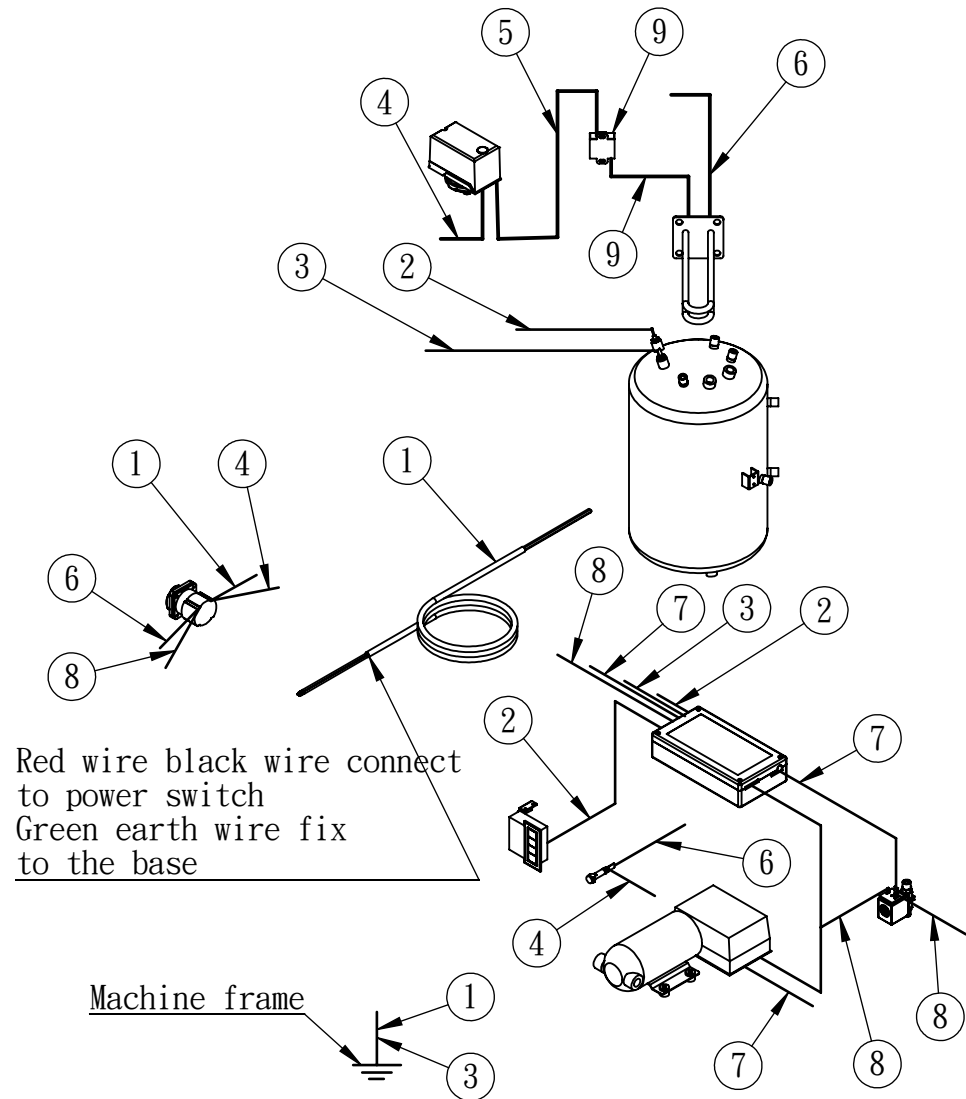
5. Push pad control system

Item.	Parts No.	Description	Qty.
1	S824	Steam knob	1
2	S825	Hot water knob	1
3	S877-2	Steam pipe	1
4	1303	Boiler pressure gauge	1
5	S112	Steam gauge pipe	1
6	S878	Hot water pipe	1
7	S12017	Boiler hot water outlet pipe	1
8	S105	Left steam pipe	1
9	5020	Steam valve body	2
10	S883-1	Control rod assembly	2



6. Wiring system

Item .	Parts No.	Description	Connect	Qty .
1	4322	Power cord	Red wire connect to power switch No.7 Black wire connect to power switch No.5 Yellow wire connect to earth wire	1
2	4342	Electronic water level display wire	Electronic display wire connect to IC board J7 White high water probe connecto to IC board J7	1
3	4304	Water level probe wire	Black lower water probe wire connect to IC board J8 IC board green connect to earth wire and machine frame	1
4	4336-1	Steam machine wiring set	Top connecting point power cord of Pressure switch connect to power switch No.6 Indicating lamp power cord connect to power switch No. 6	1
5	4336-1	Steam machine wiring set	Pressure switch (down) connect to Temperture protection switch	1
6	4336-1	Steam machine wiring set	White element heating wire connect to power switch No.8 Black indicating lamp power code connect to power switch No.8	1
7	4336-1	Steam machine wiring set	2-way solenoid valve wire connect to IC board J2 Main IC board (J2) blue solenoid valve wire connect to transformer black power cord	2
8	4336-1	Steam machine wiring set	IC board J1 red wire connect to power switch No.4 Main IC board (J1) black power cord connect to transformer black power cord and solenoid valve black wire then connect to power switch poition No. 2	2
9	4293	Temperture protection switch	Temperture protection switch wire connect to Heater	1



7. IC board connecting position

Item	Connecting code	Connecting explanation
1	J1	AC power code connector
2	J2	2-way solenoid valve connector
3	J7	Electronic display wire connector
4	J8	Water probe wire connector

