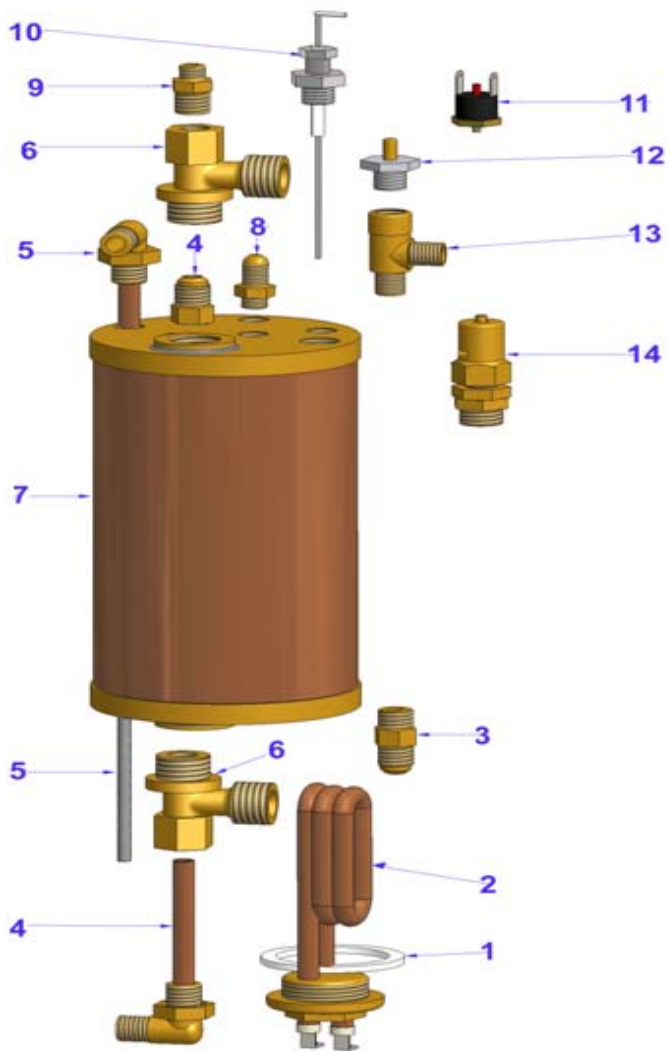


# DOMOBAR JUNIOR HX



## SUMMARY

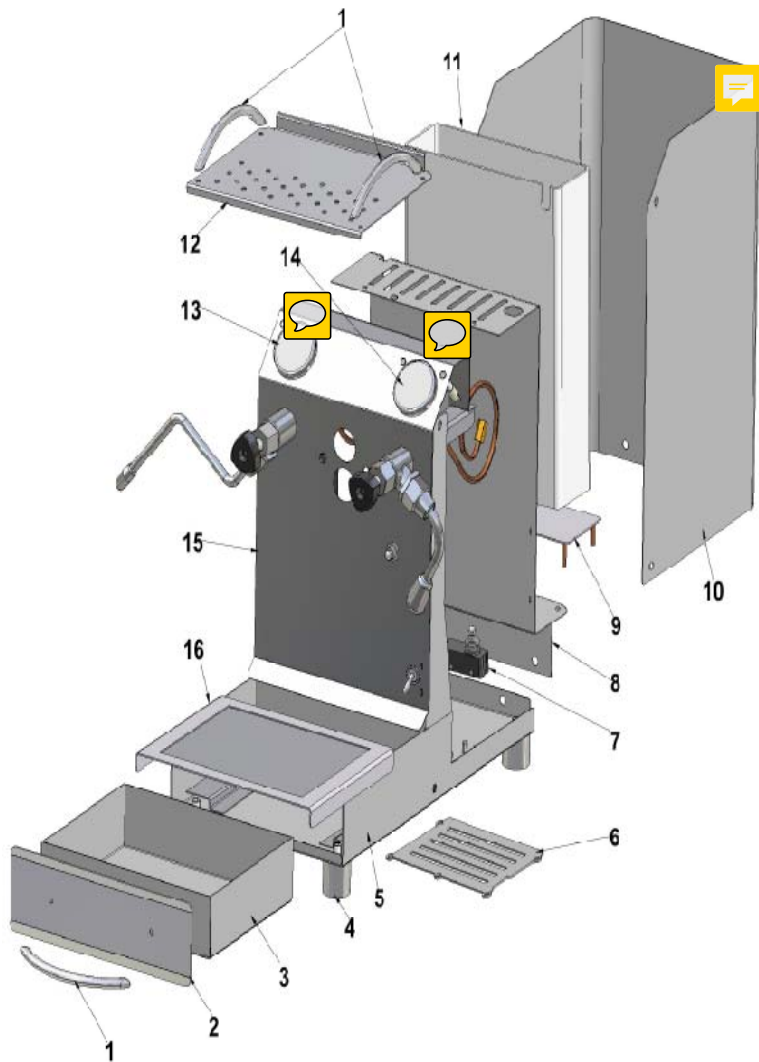
Page 1	<b>Boiler</b>
Page 2	<b>Body Work</b>
Page 3	<b>Waterworks</b>
Page 4	<b>Electronics</b>
Page 5	<b>Manual Group</b>
Page 6	<b>Manual Group</b>
Page 7	<b>Taps (Steam &amp; Hot water)</b>



**SINGLE BOILER**

POS.	PART NO.	DESCRIPTION
1	GUARCALDOM	BOILER GASKET
2	ELETRESD1622	220V 1600W ELEMENT FOR JUNIOR SINGLE BOILER
3	RACCDOM18BIS	1/4MX1/4M FITTING
4	RACCP430VAL	L.92,5 INJECTOR FITTING
5	PRIG6MA100	SCREW 6MA L.100
6	RACCP428	FITTING FOR OUTLET TUBE
7	CALDDOMSUPJUN	BOILER FOR JUNIOR SINGLE BOILER
8	RACCDOM18BIS1	1/4MX1/8 FITTING
9	RACCELETDOMSU	1/8MX1/4M SOLENOID VALVE REDUCTION
10	ELETSON	LEVEL PROBE
11	ELETGLDOMM165	165 DEGREES GLIXON - MANUAL RESET
12	VALVSFME	SAFETY VALVE
13	RACCP735	T-SHAPED 1/4X1/4X1/4 FITTING
14	VALVMOSP	3/8 SPRING VALVE

**Junior**

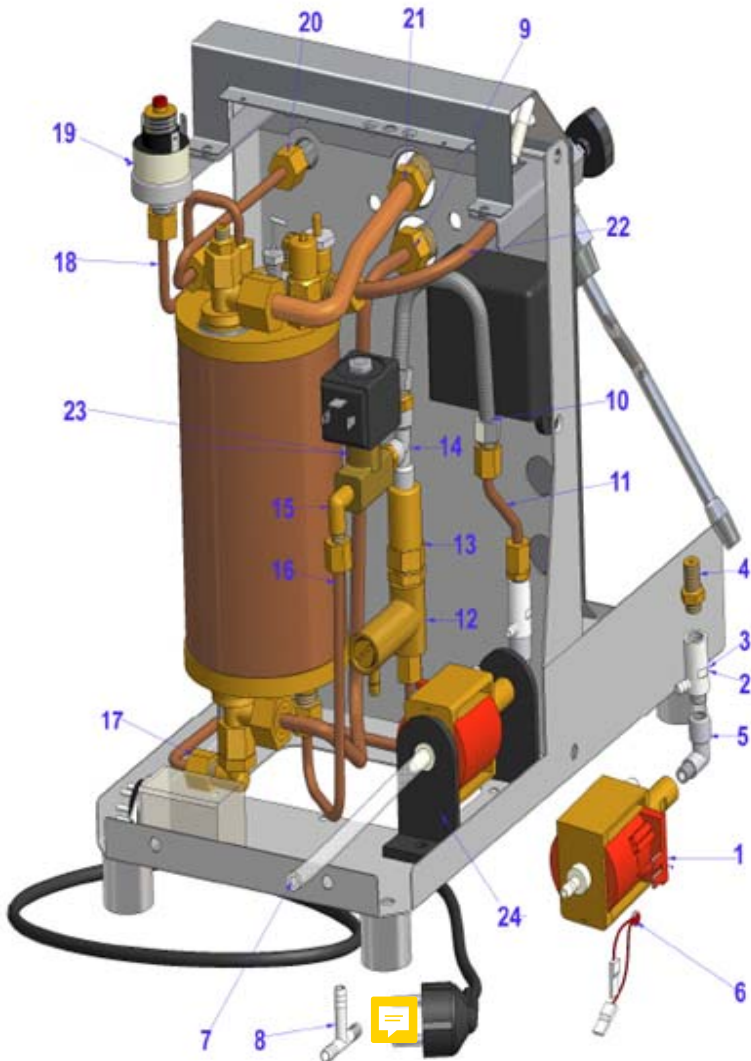


## BODY WORK

POS.	PART NO.	DESCRIPTION
1	MANCASCOPKIR	DOMO. SUPER /DOMO .SUPER JUNIOR DRAWER HANDLE
2	CARRCFRODOMKI	DOMO.SUPER JUNIOR INOX FRONT PANEL FOR DRAWER
3	CARRCASDOMKI	DOMOBAR SUPER JUNIOR STEEL DRAWER
4	PIEDDOMSUNEW	DOMO.SUPER/DOMO SUPER JUNIOR CHROMED FEET
5	TELADOMBASUJU	DOMOBAR SUPER JUNIOR INOX FRAME
6	COPEINFTEDOJU	LOWER COVER FOR FRAME
7	ELETMICRKIRI	DOMO.SUPER JUNIOR MICROSWITCH
8	SUPVASCDOMSJU	TANK SUPPORT
9	PIASPRMIDOMKI	MICRO PRESS PLATE
10	TELADOMRIDSJU	INOX COVERING FOR DOMO.SUPER JUNIOR
11	MATECVAACDOSK	DOMO.SUPER JUNIOR WATER TANK
12	TELADOMSCONJU	DOMO.SUPER JUNIOR INOX COVERING
13	MANMDOE40016	PUMP PRESSURE 0-16 GAUGE
14	MANMDOE40025	BOILER PRESSURE 0-4 GAUGE
15	FRONDOMSMAJUS	SILKSCREEN PRINTED FRONT PANEL-JUNIOR SINGLE BOILER



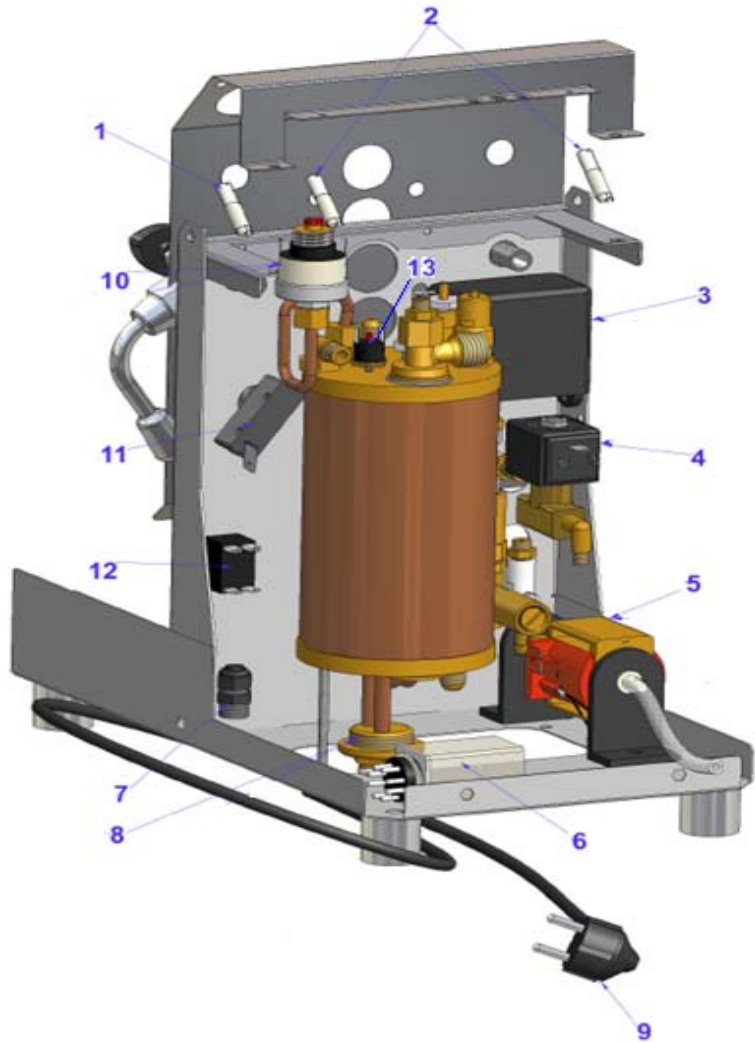
## JUNIOR



## WATERWORKS

POS.	PART NO.	DESCRIPTION
1	POMPVIBDOM	EX5 220V VIBRATING PUMP
2	VALVCONTRPRES	PLASTIC AUTOPRIME VALVE
3	VALVCONTRPROT	BRASS AUTOPRIME VALVE
4	TUBIP18X18AZ	NIPPLES 1/8MX1/8M
5	RACCGOMF548	1/8F X 1/8M ELBOW-SHAPED FITTING
6	TERMPROTDOMSU	PROTECTION MICROOTHER F11 100 DEGREES CABLE
7	MATECSIGS	800 mm SILICONE TUBE
8	RACCTPLASTICA	PLASTIC T-SHAPED FITTING
9	TUBIP891	GROUP OUTLET TUBE
10	TUBIFLINDOKI	D.6 CM.14 INOX FLEXIBLE TUBE
11	TUBIDOMPART3	PART 3 DOMOBAR TUBE
12	ASSBYPASSNEW	NEW BYPASS
13	VALVNORITDOM	NON RETURN VALVE
14	RACCTFFF461	T FFF1/8 FITTING
15	TUBICU18X18	1/8X1/8 MALE CURVED TUBE
16	TUBIP887	SOLENOID VALVE TUBE
17	TUBIP886	TUBE CONNECTION FROM BOILER TO BYPASS
18	TUBIP889	PRESSURE SWITCH TUBE
19	ELETREDOMSU	JAGER PS.15.01 PRESSURE SWITCH
20	TUBIP888	TUBE CONNECTION FROM BOILER TO WATER TAP
21	TUBIP550	GROUP INLET TUBE
22	TUBIP880	TUBE CONNECTION FROM BOILER TO STEAM TAP
23	ELETELE2AU22	D.3 220V INLET WATER SOLENOID VALVE
24	ANTISUPGOPODO	RUBBER SUPPORTS FOR PUMP

JUNIOR

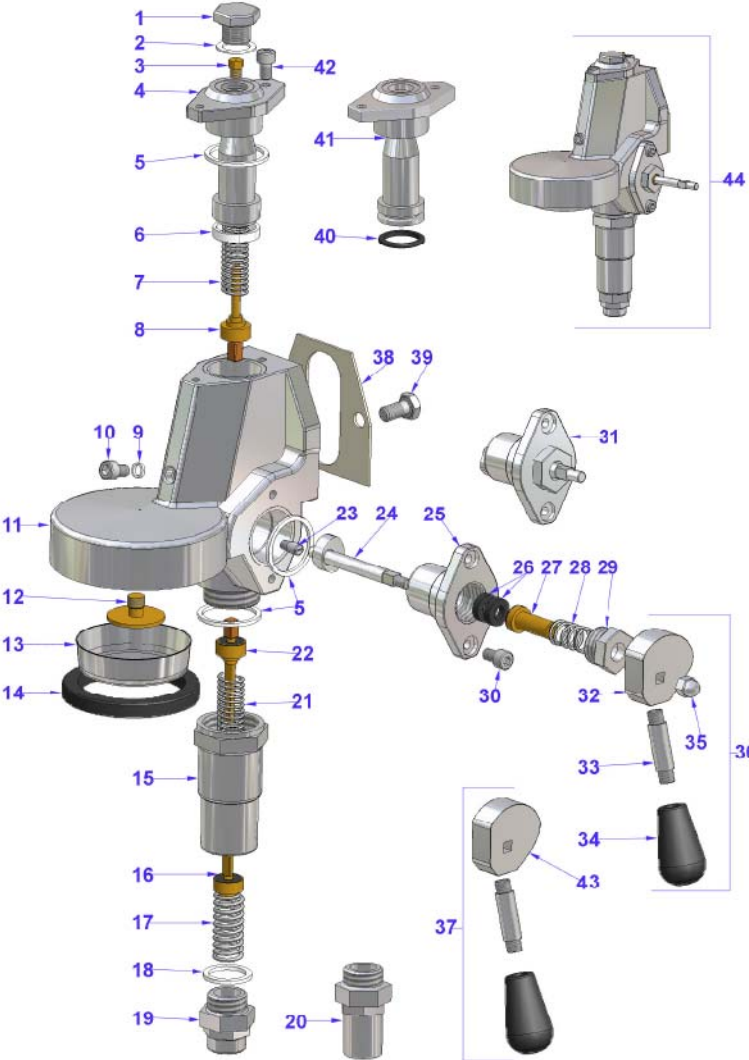


## ELECTRIC SYSTEM

POS.	PART NO.	DESCRIPTION
1	ELETLAMNEOVE	220V / 110V GREEN NEON WARNING LIGHT
2	ELETLAMNEORO	220V / 110V RED NEON WARNING LIGHT
3	ELETREGLIVDSJ	220V DOMO.S.JUNIOR LEVEL REGULATION
4	ELETELE2AU22	D.3 220V INLET WATER SOLENOID VALVE
5	POMPVIBDOM	EX5 220V VIBRATION PUMP
6	RELECABDSJ110	110V R15-1012-23 WIRED RELAY
7	FERMACAVPG9	PG9 CABLE CLAMP
8	ELETRES1622	220V DOM.JUNIOR SINGLE BOILER ELEMENT
9	ELETCAVALAUS	3X1 L.2000 AUSTRALIAN PLUG CABLE
10	ELETPREDOMSU	JAGER PS.15.01 PRESSURE SWITCH
11	ELETMICREKIRI	NR6X5 MICROSWITCH
12	ELETINTLEVMET	LEVER SWITCH
13	ELETGLDOMM165	165 DEGREES GLIXON - MANUAL RESET

**JUNIOR**

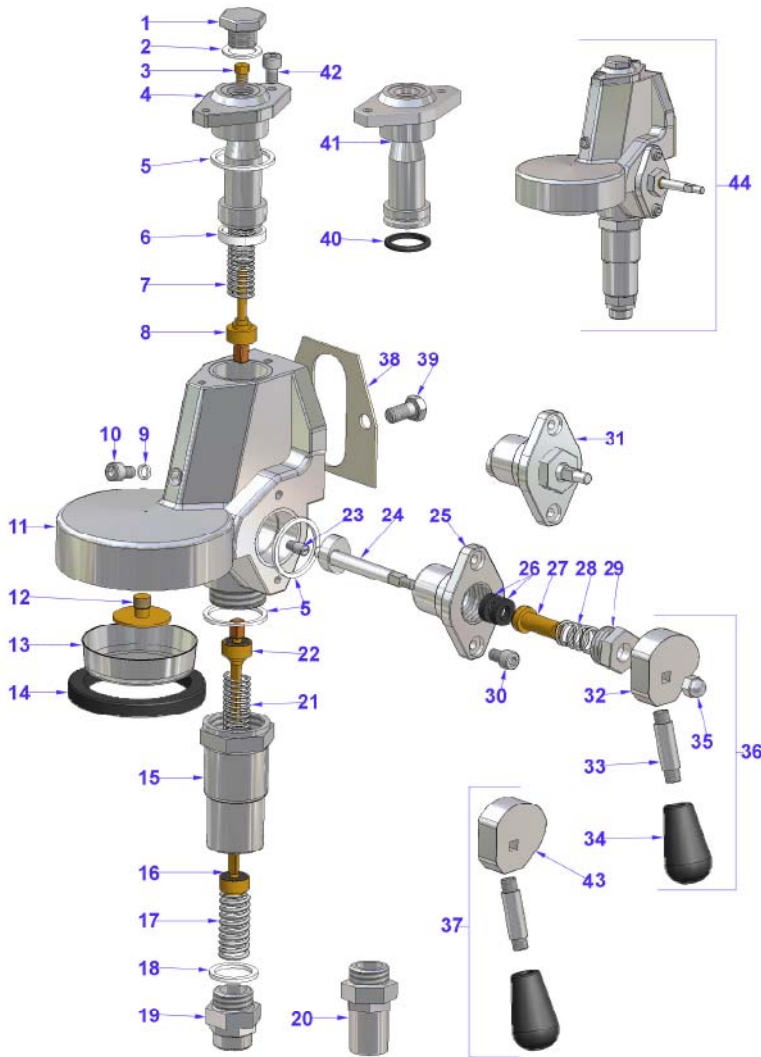
**MANUAL GROUP**



POS.	PART NO.	DESCRIPTION
1	RACCTACHCASU	CAP FOR UPPER LOCK GROUP
2	GUARTACHGR	CAP GASKETS FOR GROUP LOCK DIS.344
3	RACCGIES7	GIGLEUR GROUP ES7 DIS.327
4	RACCCASUTEPI	UPPER CAP
5	GUARCAINGRTE	CAP FOR LOWER LOCK GOUP
6	GUARCASUTEPI	GASKET FOR UPPER CAP
7	MOLLVAER	DISTRIBUTION VALVE SPRING
8	ASSVALVEROG	DISTRIBUTION VALVE SET
9	VITERON6TEFLO	TEFLON WASHER D.6 DIS.359
10	VITEBR6MACO	6MA SHORT GRUB SCREW
11	CORPOGRUPPO	MANUAL GROUP BODY
12	RACCSPGR	GROUP SPRAYER
13	FILTDCREGR	NET SHOWER
14	GUARSOT	UNDERPAN GASKETS
15	RACCCAIN	LOWER CAP GROUP COMPL.
16	ASSVALVSCAR	DISCHARGE VALVE SET
17	MOLLSC	DRAIN SPRING AND EXPANSION VALVE
18	GUARTE	GASKET 170 DIS.325
19	ASSTASC	DISCHARGE CAP SET
20	ASSTASCAUTDMA	DISCHARGE CAP SET DOMOBAR SUPER
21	MOLLVAIN	INFUSION VALVE SPRING
22	ASSVALVINF	INFUSION VALVE SET
23	RACCPEFECA	PIN FOR CAM
24	RACCALCAGR	LEVER GROUP CAM
25	RACCCACOGR	GROUP LOCK CONTROL
26	GUARPICA	PLANE GASKET CAM EP709 15,5X7,5X4
27	RACCBUPRGO	BUSH

**JUNIOR**

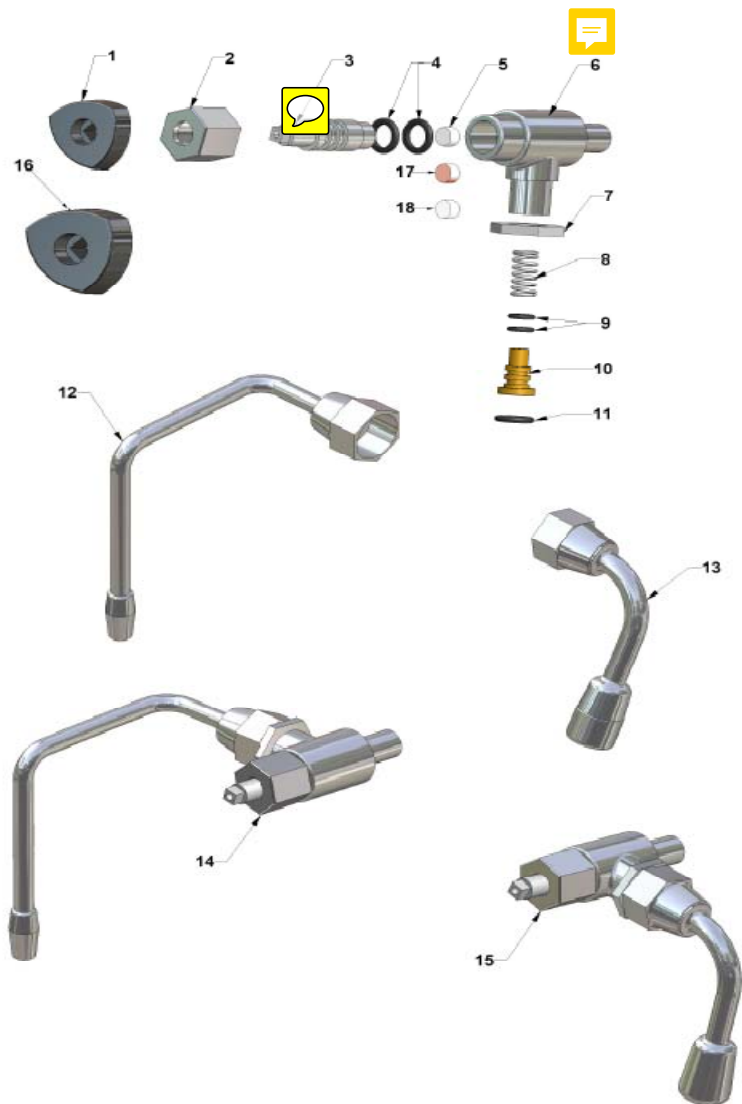




### MANUAL GROUP

POS.	PART NO.	DESCRIPTION
28	MOLLPRGO	SPRING
29	RACCTAPRGO	CAP
30	VITEBR6MA	SCREW 6MA
31	ASSCOMGRCAMME	SET FOR LEVER BASE CONTROL
32	TUBIP714	LEVER BASE MICRO REPL. P.714
33	TUBIP715	LEVER BASE ROD MICRO P.715
34	MANPPOLE	COMMAND HANDLE I.147/40 M8 19802
35	VITEDACE6MAIN	INOX COVERED NUTS 6MA
36	ASSCOMGRUPPO	GROUP CONTROL SET
37	ASSCOMGRUPMER	HANDLE CONTROL FOR MERCURY
38	GUARGR	SLOT-HOLED GASKETS FOR GROUP
39	VITETEM8X14	8MA GROUP NUT
40	GUAROR128	GASKETS OR 128 EP851
41	RACCCASU	GROUP CAP
42	VITEBR6MACO	6MA SHORT GRUB SCREW
43	TUBICAMMERC	MERCURY COMMAND HANDLE
44	GRUPMANREP291	MANUAL GROUP REPLICA P. 291

### JUNIOR



## WATER/STEAM TAP

POS.	CODICE	DESCRIPTION
1	MANPRSC	DOMO. SUPER WATER/STEAM TAP HANDLE
2	RACCPRGOCR	CHROMED STANDARD FITTING
3	RACCASRUDOSU	DOMO.S./JUNIOR INOX ROD TAP
4	GUAROR113	OR113 GASKET
5	GUARSILRUDOSU	ROD NEUTRAL SILICONE SEAL GASKET
6	RACCCORUDOSU	WATER/STEAM TAP BODY
7	TUBIP202CR	3/8 CHROMED NUT
8	MOLLTUVA	STEAM PIPE SPRING
9	GUARR6	OR6 GASKET
10	RACCBULASF	LANCE BUSH
11	GUAROR113	OR113 GASKET
12	TUBILADOMSU	CHROMED STEAM LANCE
13	TUBIP727	WATER LANCE
14	RACCRUBDOVACR	DOMO S. STEAM TAP
15	RACCRUBDOACCR	DOMO S. WATER TAP
16	MANPRUSCDOMSA	DOMO. SUPER JUNIOR WATER/STEAM TAP HANDLE
17	GUARSILRUDOSR	ROD RED SILICONE SEAL GASKET
18	GUARSILRUDOST	ROD TEFLON SEAL GASKET

## JUNIOR