

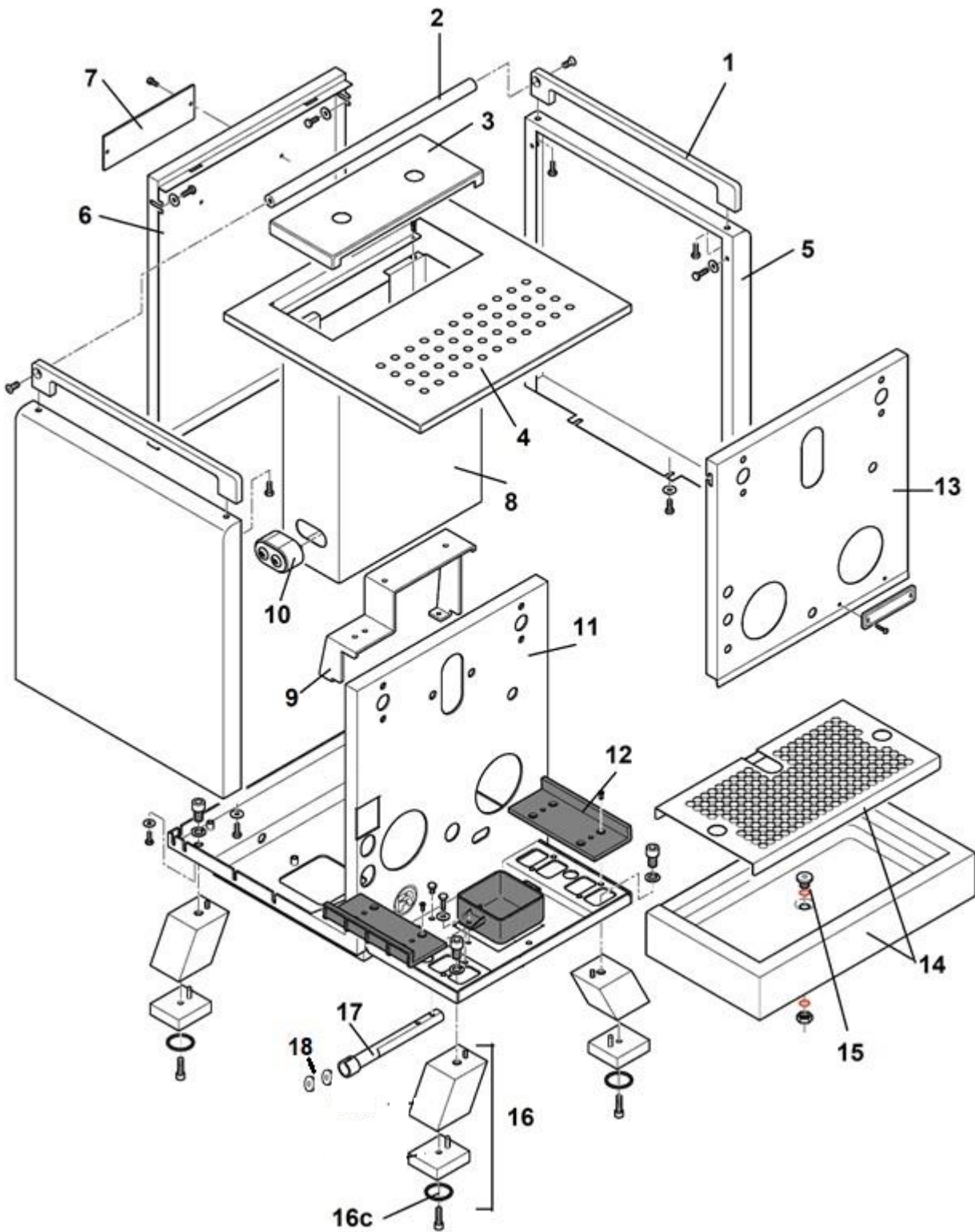


R CINQUANTOTTO

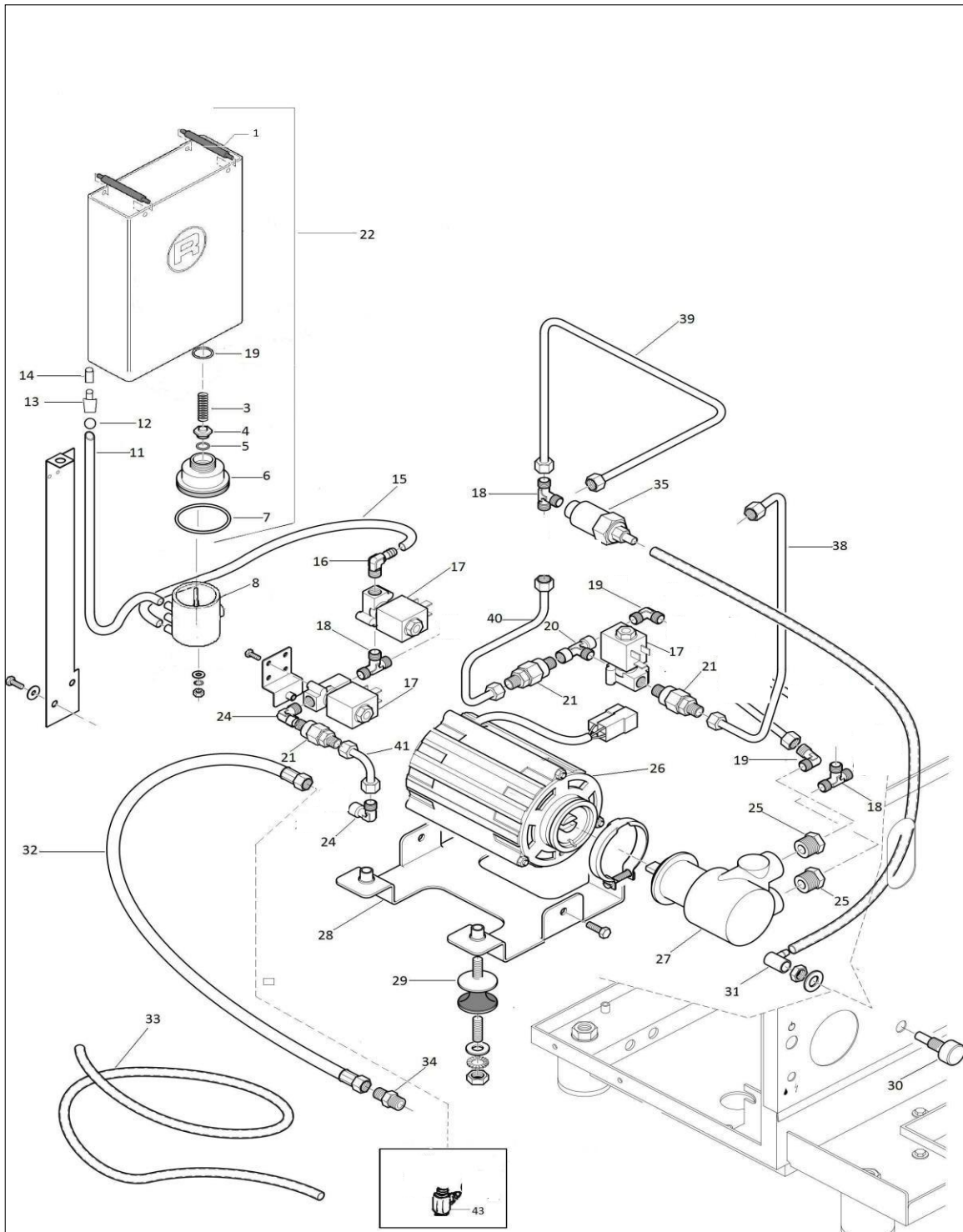
Espresso Machine

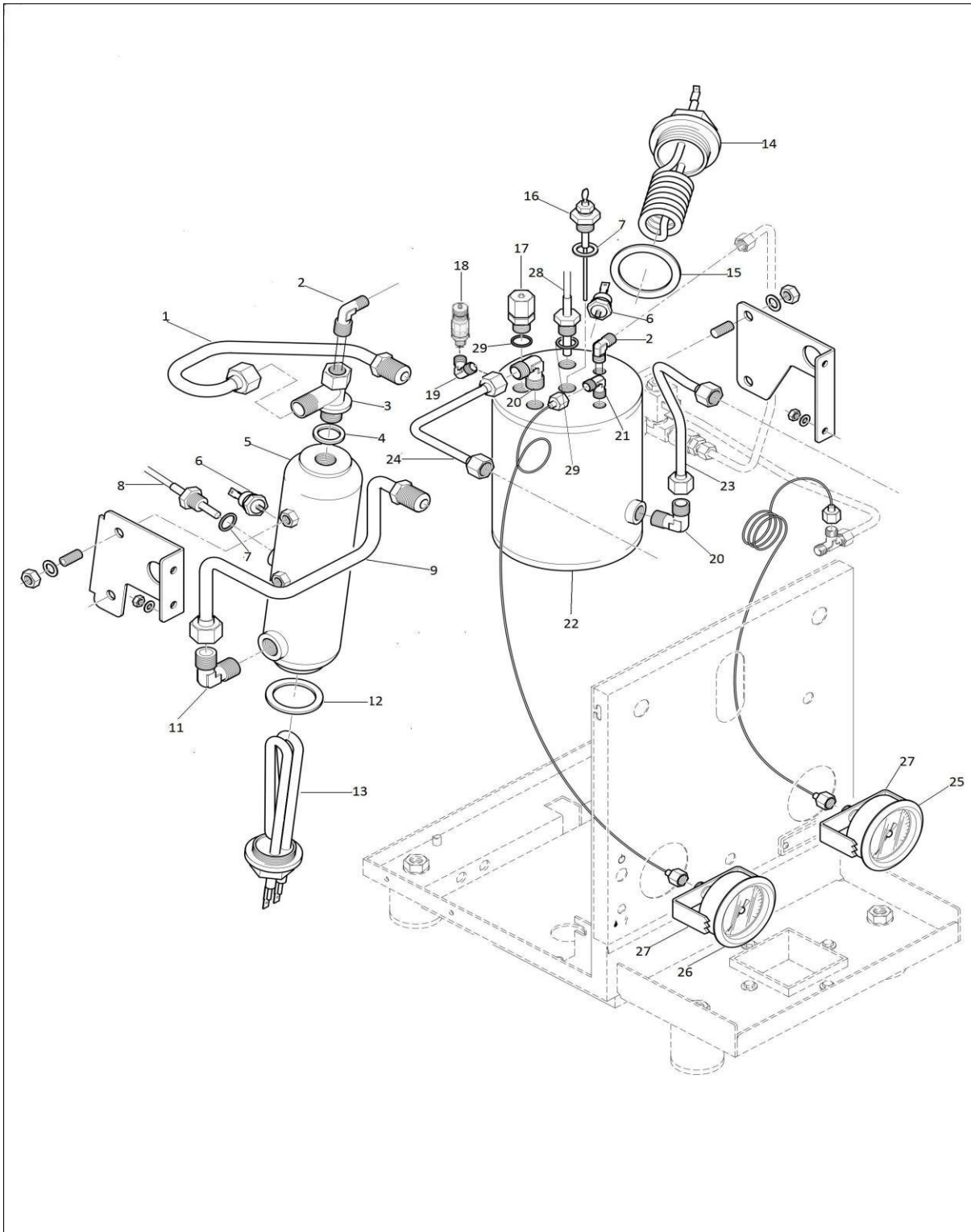
Spare parts catalogue

Ed. 10.2020

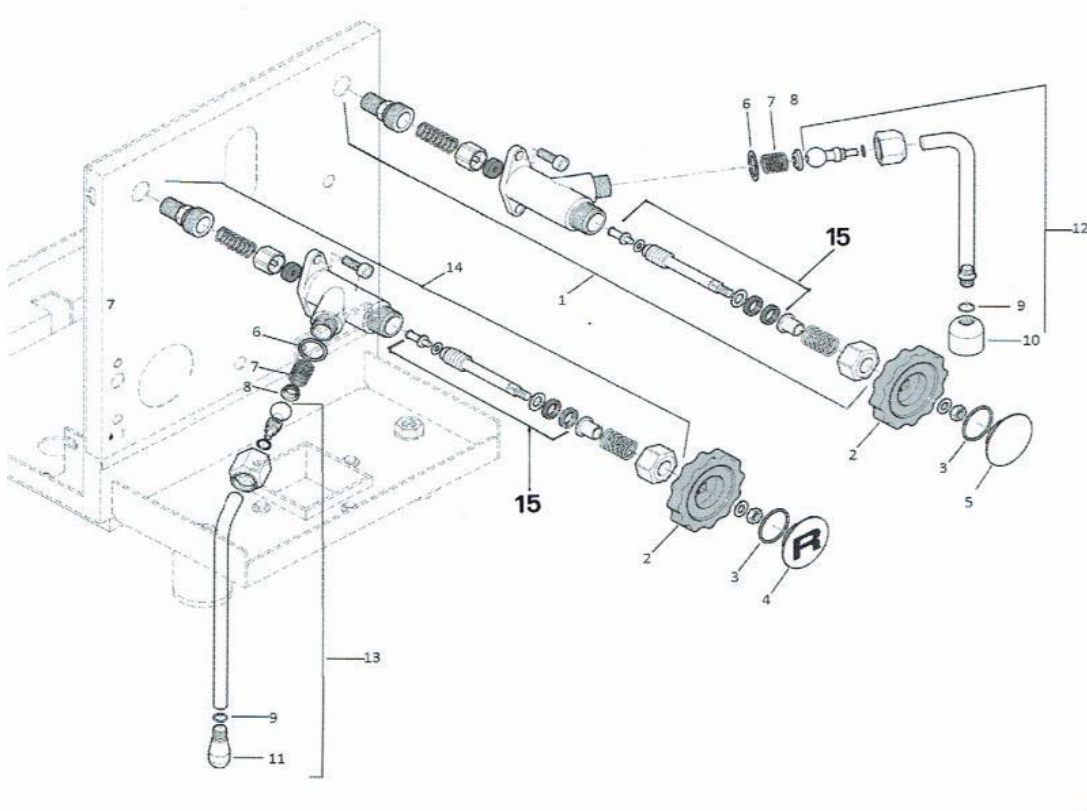


Pos.	Code Nr.	Description	Notes
1	A619906932	Cups frame	
	A611006932	Cups frame engraved	
2	A059906933	Cups frame rod	
3	C01L000382	Tank cover	
4	A019906929	Cups support panel	
5	A019906927	Side panel	
6	A019906928	Rear panel	
7	A859904400	Rear rocket tag	
8	A019904656	Tank guide	
9	A019906937	Tank guide bracket	
10	R839907128	Water control system	
11	A019906926	Chassis	
12	A439905130	Tray guide	
13	A011006823	Front panel	
14	RA99906574	Drip tray complete	Composed by: grid (A019906573) + drip tray (R011006574)
15	A229904512	Drip tray plug	
16	A059907027	Complete foot	
16c	A449906954	Foot o -ring	
17	A519906923	Support display	
18	A899906930	Magnet	
	A899906931	Magnet	



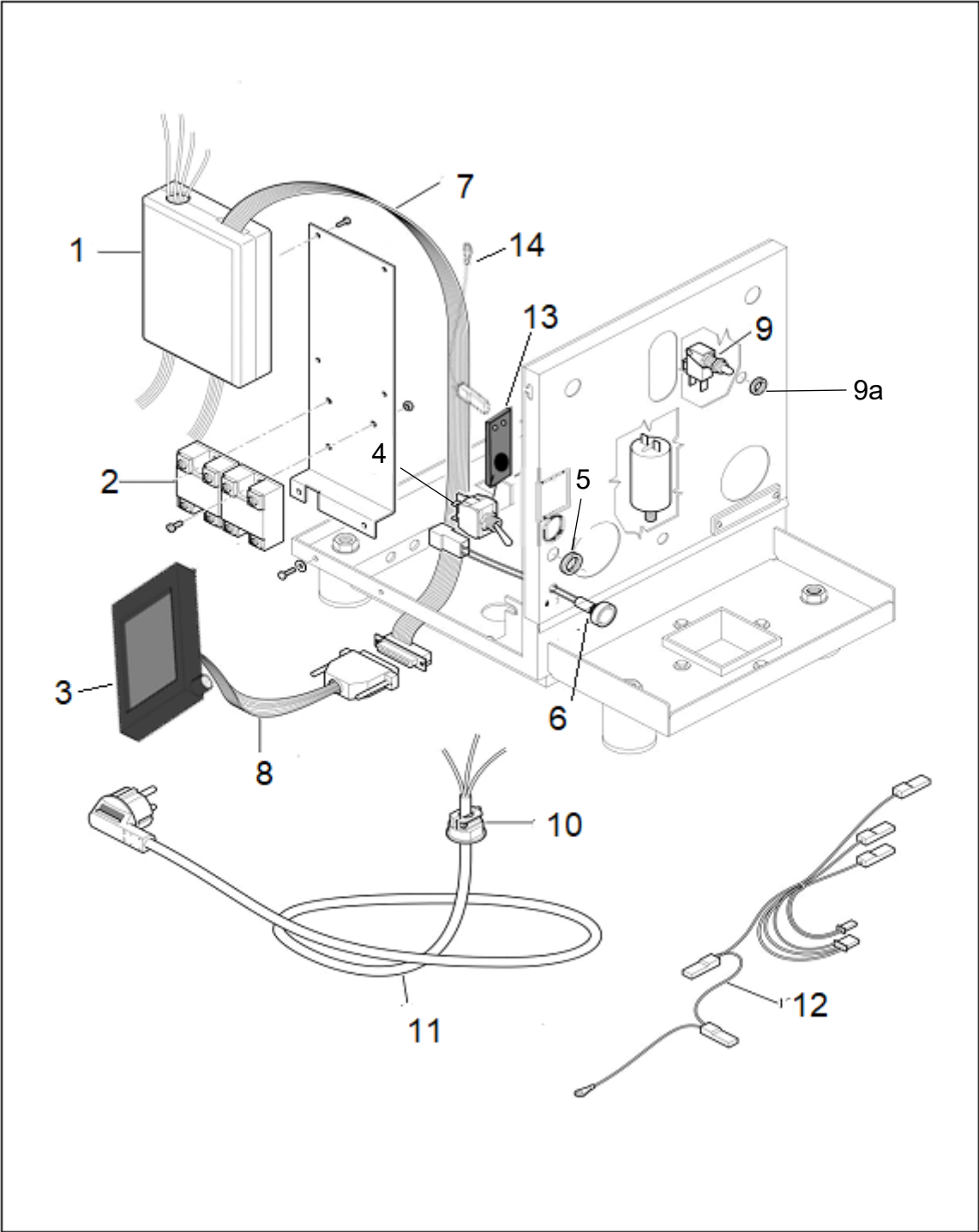


Pos.	Code Nr.	Description	Notes
1	A279905173	Inlet pipe w. 3 mm restrictor	
2	C229900393	Injector	
3	C229900740	Connector	
4	C479900673	Copper gasket	
5	A270004558	Coffee boiler	
6	C199901550	Thermostat 135C	
7	A269904417	OR Viton 114	
8	A119905081	NTC Probe	
9	A279904641	Return pipe	
11	A229904957	L Connector 3/8 MM	
12	C469900239	Heating element gasket	
13	A199905013	Heating element V230	
13 A	A199905014	Heating element V115	
14	A110004667	Heating element V230	
14 A	A110004668	Heating element V115	
15	A269904671	Heating element gasket	
16	A199905078	R58 Service boiler probe	
17	A219905510	Vacuum breaker valve	
18	A229905084	Safety valve 1.8	
19	A229904680	3/8 L Connector MF	
20	C229900525	1/4 L Connector MM	
21	A229904355	1/8 L Connector MM	
22	A270004559	Service boiler	
23	A279904645	Hot water pipe	
24	A279904646	Steam pipe	
25	A219906185	Pump pressure gauge	
26	A219906186	Boiler pressure gauge	
27	A019905645	Pressure gauge support	
28	A119905081	NTC Service boiler probe	
29	A269904417	Teflon gasket	



Steam and hot water assembly

Pos.	Code	Description	Notes
1	A227704669	Hot water valve	
2	A639905816	Steam/hot water valve handle	From serial # D1540R58
3	A449904672	Oring	
4	A529R04649	Steam cover handle	
5	A527704649	Hot water cover handle	
6	A449904331	Teflon gasket	
7	A209904332	Spring	
8	A229904333	Plate	
9	C400002022	Oring	
10	R299905217	Hot water nozzle	
11	A899905091	Steam tip 1.5	
11a	A899905092	Steam tip 1.2	
12	A219904650	Hot water wand complete	
13	A219904651	Steam wand complete	
14	A227705093	Steam valve	
15	R229905676	Valve rod (compl. assembly kit)	

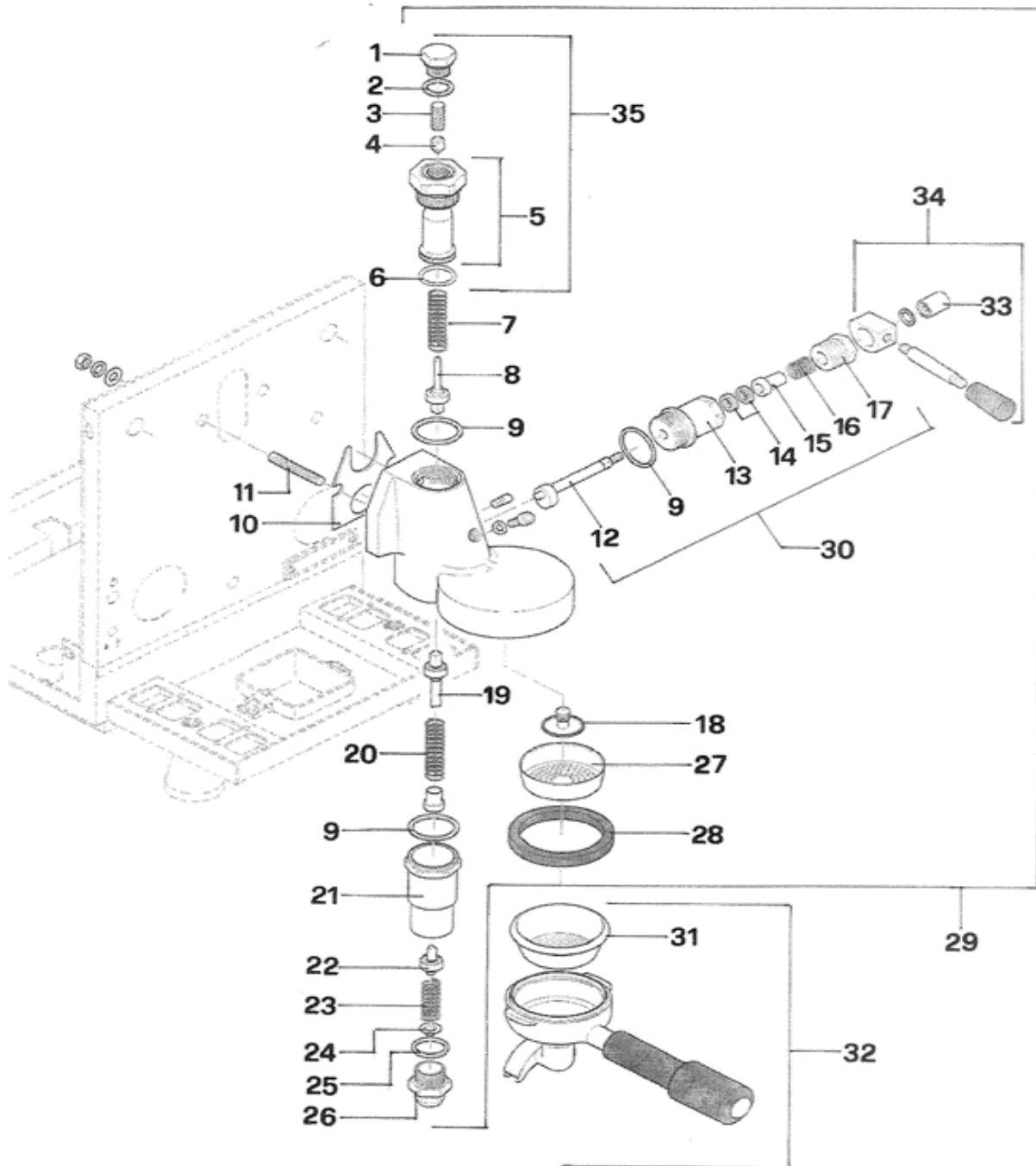


Electronics

Pos.	Code Nr.	Description	Notes
1	A199906962*	Control Box V230*	A199907279 control board R58 New
2	A190004666	Relay	UPDATED SOFTWARE 2.0
3	A199906960*	TFT Display complete*	A199907280 DISPLAY 4.5 USB
4	A199906002	On/Off switch	
5	A527704305	Nut	
4a JPN/CINA	A199904992	On/Off switch	
5a JPN/CINA	A199904989	Nut	
6	A139904519	Green lamp	
7	A199906957	Flat cable connection to board	
8	A199904674*	Conn. cable board to display	till Sn D1233R584657
8	A199906959	Cable machine to display	from Sn D1233R584657
9	A199905198	Microswitch	
9a	A559905197	Nut	
10	C439900086	Cord lock	
11	C199900957	CE Power cord	
11	A199904518	IS Power cord	
11	A199904616	KR Power cord	
11	C199900958	UL Power cord	
11	C199901115	AUS/NZ Power cord	
11	C199901116	GB Power cord	
11	C199901510	CH Power cord	
12	A199907024	Wiring loom	
13	A199907083	OLED Display	
14	A199906722	OLED Display cable	

*A199906962 (old) control board matches ONLY with A199904674 cable & A199906960 DISPLAY

A199907281 USB CABLE



Pos.	#	Description		Notes
1	A229904391	Rounded nut		
2	C469900420	Gasket		
3	C619900554	Filter		
4	C229900549	Restrictor 0,8		
6	C469900422	Green gasket		
7	A999905754	Spring		
8	R229905608	Valve		
9	C469900421	Teflon gasket		
10	C449900767	Gasket		
11	A319904599	Screw		
12	R229905238	Shaft		
13	R000002142	Flange		
14	C219900426	Gasket		
15	R000002143	Support		
16	C219900427	Spring		
17	R000002144	Cover		
18	C229901228	Diffuser		
19	R229905239	Valve		
20	A999905754	Spring		
21	C229901165	Cylinder		
22	R229905609	Valve		
23	R299905958	Spring		
24	R000002148	Connector		
25	C469900783	Gasket		
26	R000002149	Connector		
27	C519900103	Shower foil		
28	C449900229	Group gasket		
29	C200002983	Group complete		
30	R299905887	Cam kit		
31	C610003902	7 g filter basket		
	C610003901	14 g filterbasket		
	C619900106	Backflush cap ("blind filter")		
32	A699905020	1 cup filter holder with basket		
	A699905021	2 cups filter holder with basket		
33	R000002146	Pin		
34	R299905888	Lever assembly		
35	RA99905814	Ceramic group shaft		