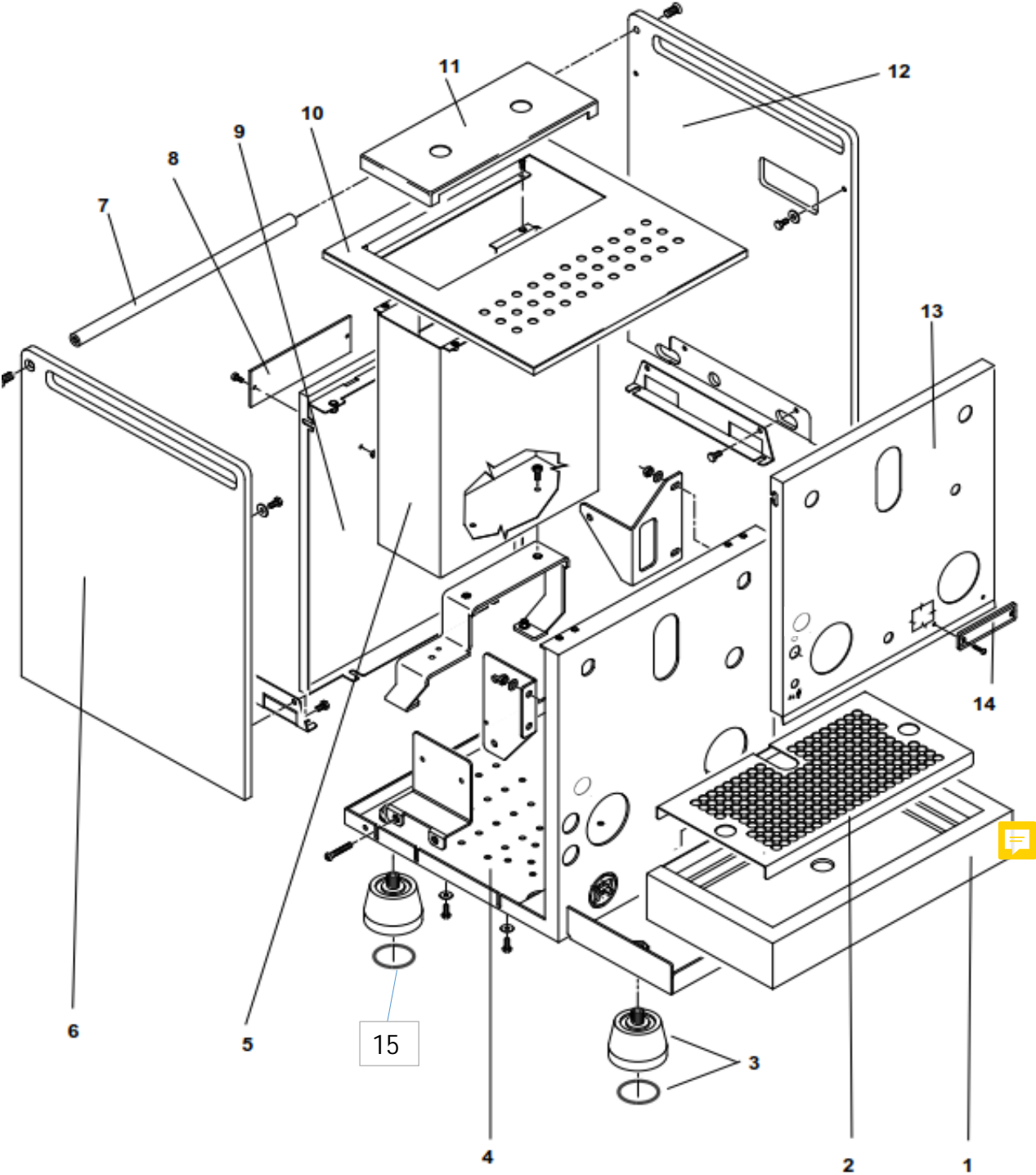


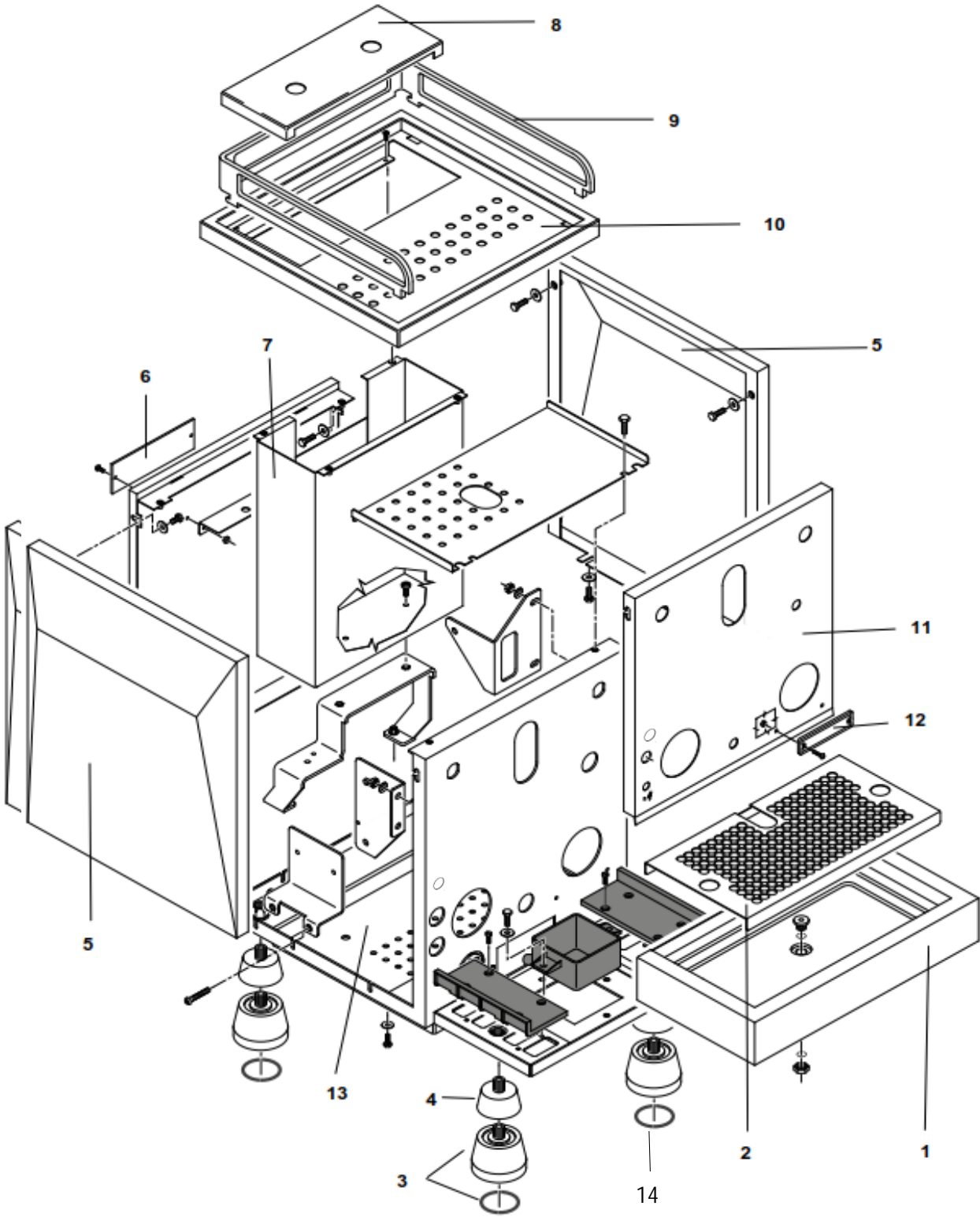


## **Mozzafiato Cronometro R - Giotto Cronometro R Espresso Machine**

From Serial number D1920....



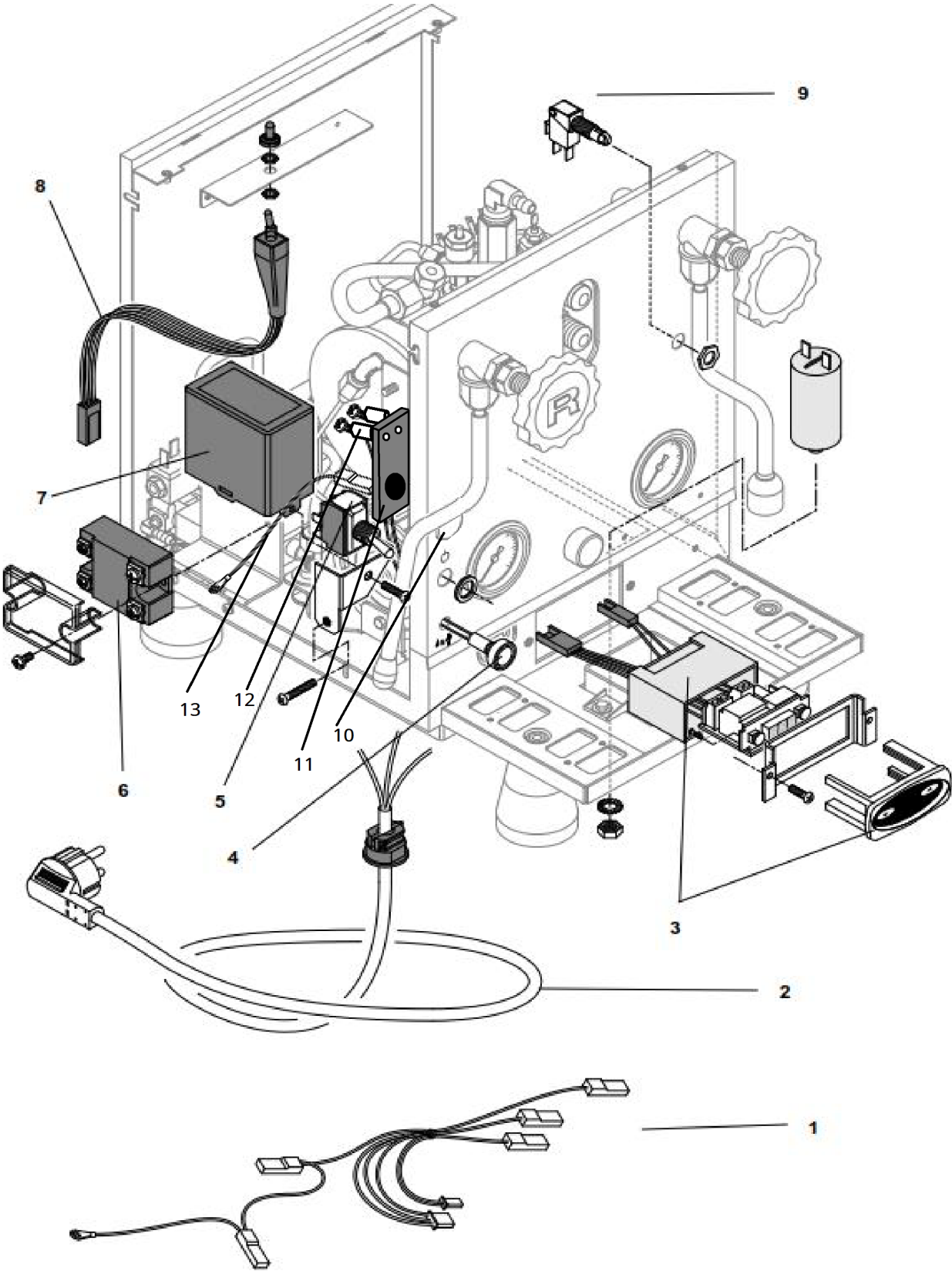
Pos.	#	Description	Notes
1	R01L005125	Drip tray	New Domestic Drip Tray 167mm - R01L006574
2	A019904346	Grid	New Grid for 167mm tray - A019906573
3	A059906054	Foot with silicone O-ring	
4	A009906649	Chassis Mozzafiato/Giotto Crono R	
5	A019904656	Tank guide	
6	A057706158	Left side panel chrome	
	A0577B6158	Left side panel black	
	A05W706052	Left side panel white	
7	A059906053	Bar	
8	A859904400	Rear tag	
9	C01L004255	Rear panel chrome	
	C01B004255	Rear panel black	
	C01W004255	Rear panel white	
10	A019906050	Cover	
11	R01L000382	Reservoir cover	
12	A057706157	Right side panel chrome	
	A0577B6157	Right side panel black	
	A05W706051	Right side panel white	
13	A01I006648	Front panel Mozzafiato Crono V / Crono R	
14	A859906121	Front tag	
15	R849906343	OR for foot	



## Giotto Cronometro R

## Bodywork

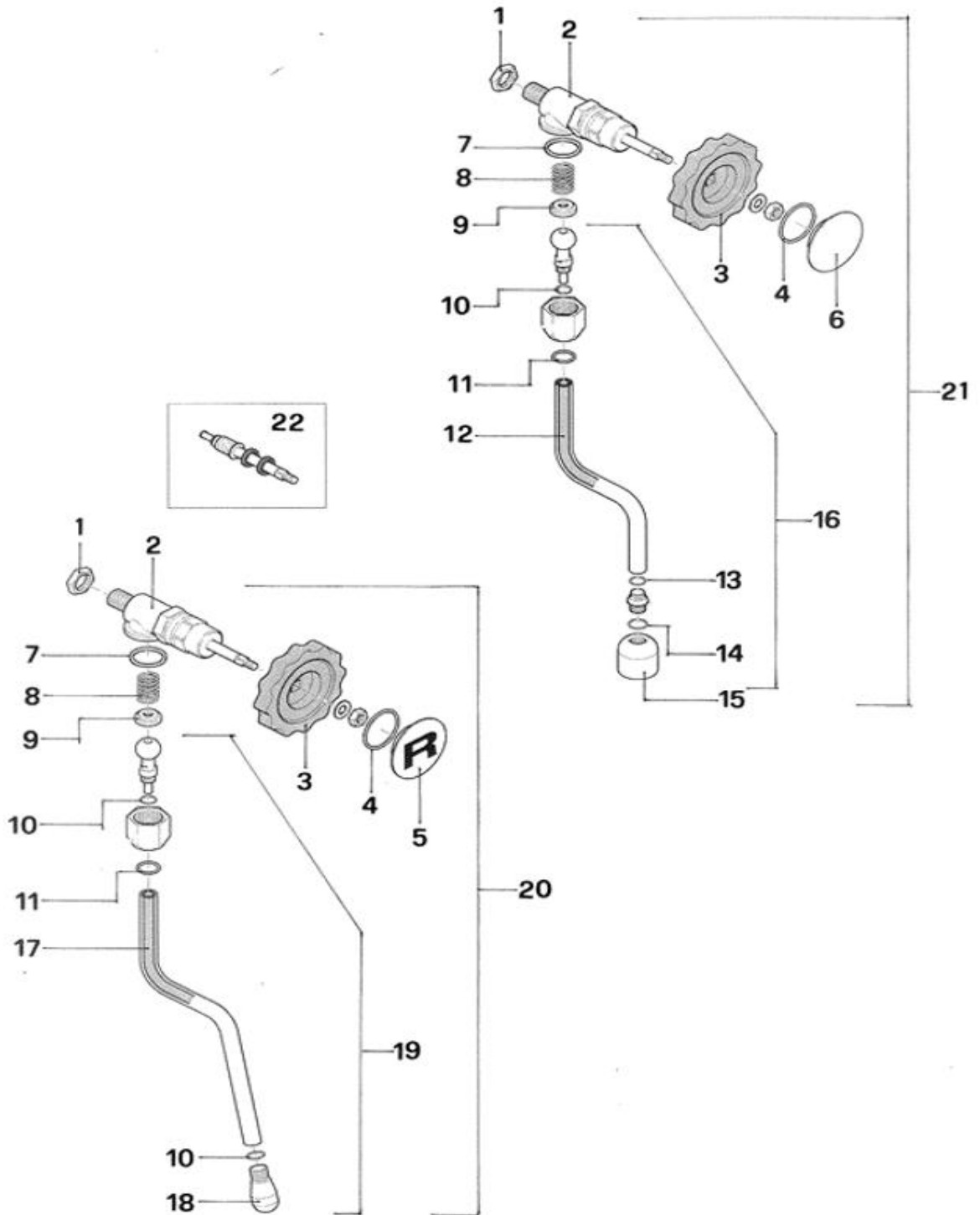
Pos.	#	Description	Notes
1	R01L005125	Drip tray	
2	A019904346	Grid	
3	A059906054	Foot with silicone O-ring	
4	A059906073	Foot extension	
5	A019906043	Side panel stainless steel	
6	A859904400	Rear tag	
7	A019904656	Tank guide	
8	R01L000382	Reservoir cover	
9	A999904597	Cups frame stainless steel	
10	C01L004246	Cover- cups support panel	
11	A01I006647	Front panel Giotto Crono R / Crono V	
12	A859906123	Front tag	
13	A009906649	Chassis Mozzafiato/Giotto Crono R	
14	R849906343	OR for foot	



Pos.	#	Description	Notes
1	A199906055	Wiring loom (includes pos. 8)	
2	C199900957	CE Power cord	
	A199904518	IS Power cord	
	A199904616	KR Power cord	
	C199900958	UL Power cord	
	C199901115	AUS/NZ Power cord	
	C199901116	GB Power cord	
	C199901510	CH Power cord	
3	A199905505	Thermo-PID V. 230/50	
	A199905514	Thermo-PID V. 115/60	
4	A139904519	Green lamp	
5	A199906002	On-off switch	
6	A190004666	Relé SSR	
7	A199906656	Control board Crono V.230-240 / 50-60 Hz	See Control board table below
	A199906657	Control board Crono V. 115/60 Hz	See Control board table below
9	A199905198	Microswitch	
10	A439906644	Glass Display Cronometro	
11	A199906642	Display Cronometro	
12	A439906653	Spacer Display Cronometro	
13	A199906722	Cable Display Cronometro	

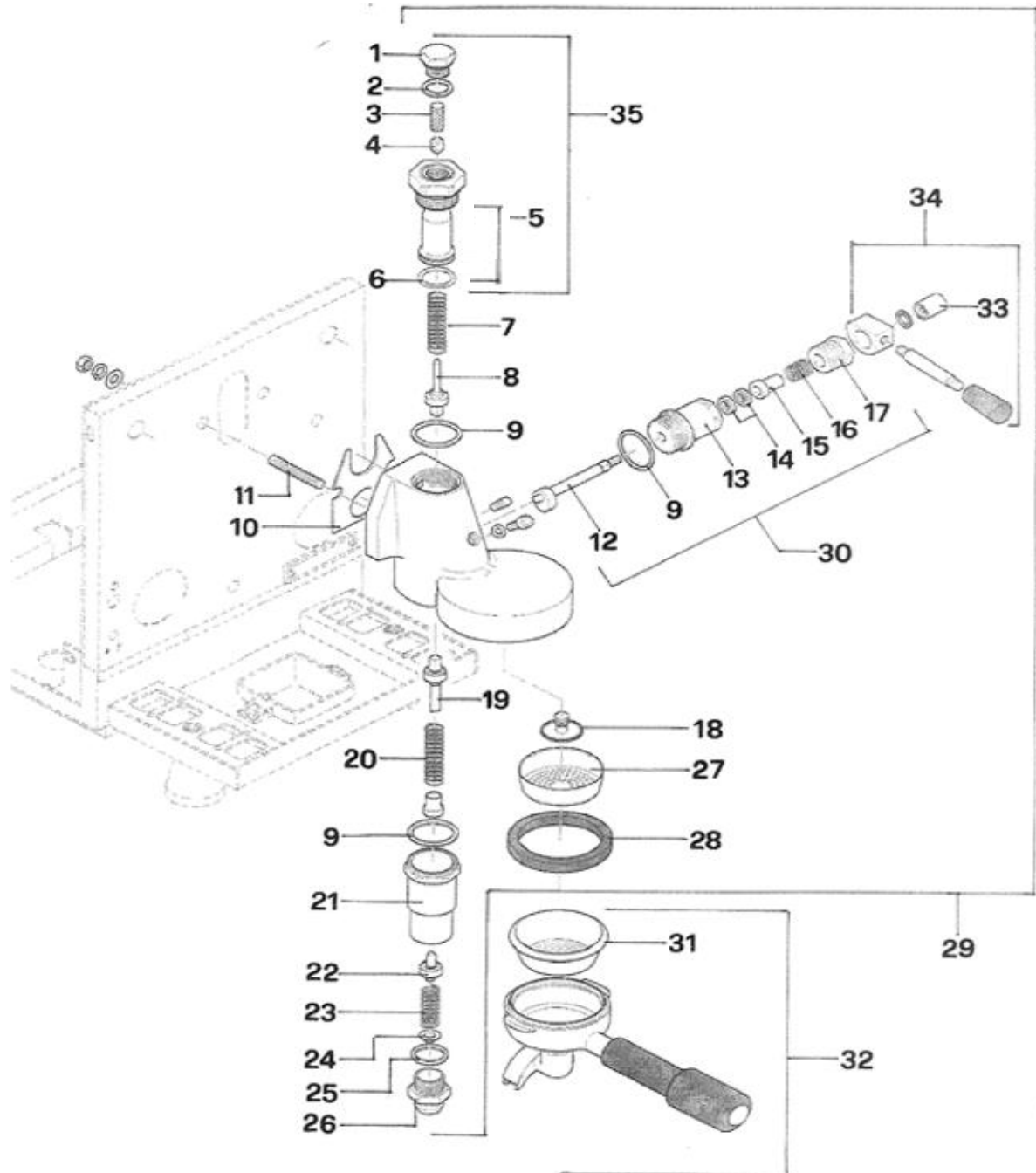
## CONTROL BOARD TABLE

MACHINE SERIAL NUMBER	MODEL	USE CONTROL BOARD	VERSION USA
EARLY VERSIONS	GIOTTO	A190004275	PRE GREEN PLUG VERSION
EARLY VERSIONS	CELLINI	A190004275	PRE GREEN PLUG VERSION
	GIOTTO TYPE V	A190004524	A190004525
	MOZZAFIATO TYPE V	A190004524	A190004525
	GIOTTO EVOLUZIONE R	A190004524	A190004525
	MOZZAFIATO EVOLUZIONE R	A190004524	A190004525
FROM D1915...	GIOTTO CRONOMETRO V	A199906656	A199906657
FROM D1915...	MOZZAFIATO CRONOMETRO V	A199906656	A199906657
	GIOTTO CRONOMETRO V	NON ECO MODE	REMOVE BRIDGE FROM CONTROL BOARD A199906656
	MOZZAFIATO CRONOMETRO V	NON ECO MODE	REMOVE BRIDGE FROM CONTROL BOARD A199906656
FROM D1915...	GIOTTO CRONOMETRO R	A199906656	A199906657
FROM D1915...	MOZZAFIATO CRONOMETRO R	A199906656	A199906657
	GIOTTO CRONOMETRO R	NON ECO MODE	REMOVE BRIDGE FROM CONTROL BOARD A199906656
	MOZZAFIATO CRONOMETRO R	NON ECO MODE	REMOVE BRIDGE FROM CONTROL BOARD A199906656
TO D1915...	APPARTAMENTO	A190004524	**NB LOW TENSION CONNECTION
			*To modify Appartamento low tension to D1915... to high tension
			1. Use wiring modification file
			2. Use pressurestat 16A
			3. Use control board A199906656
FROM D1915...	APPARTAMENTO ECO MODE	A199906656	A199906657
FROM D1915...	APPARTAMENTO NON ECO MODE	A199906656	REMOVE CONTROL BOARD BRIDGE

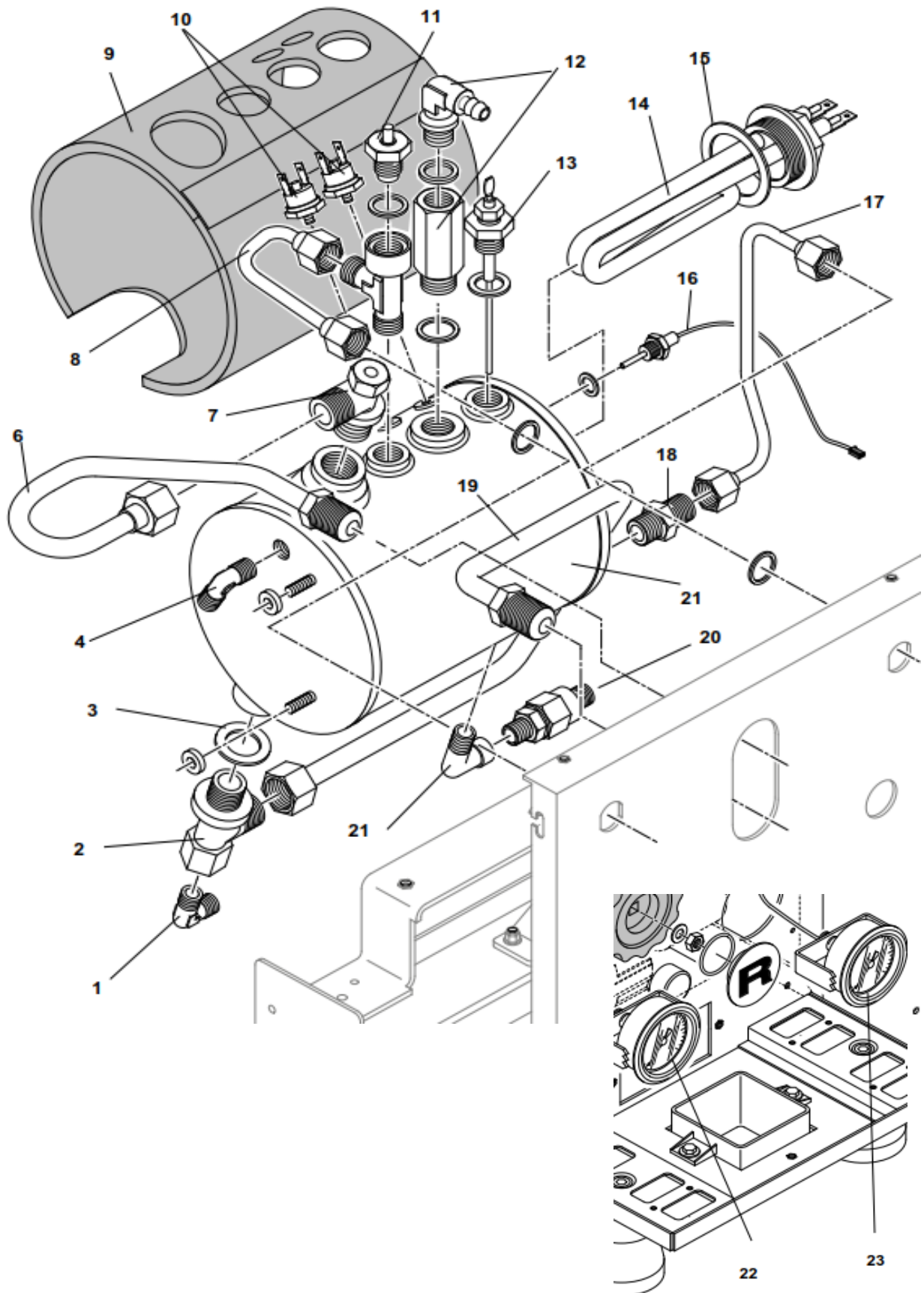




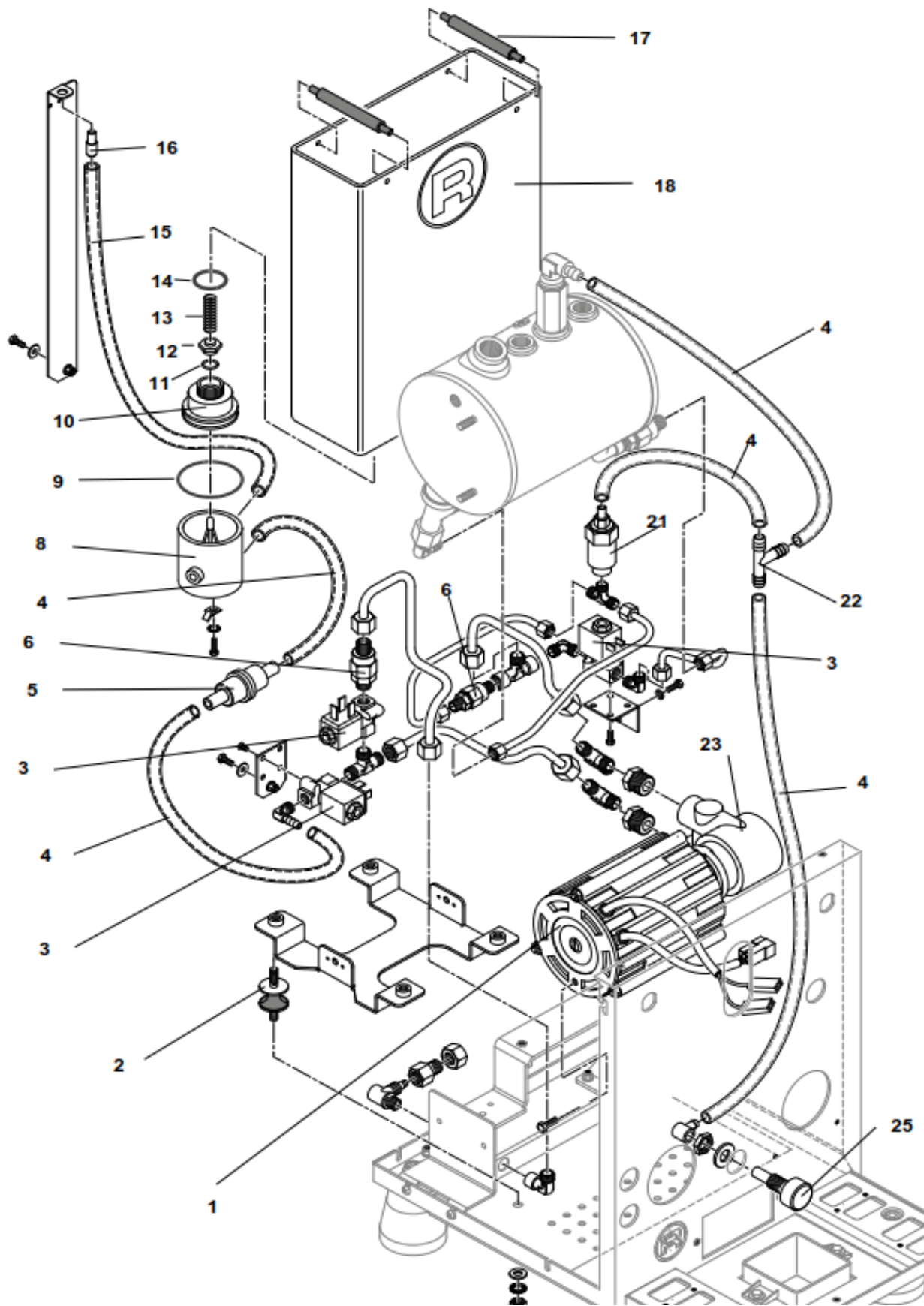
Pos.	#	Description	Notes
1	A329905087	Nut 1/4"	
2	A229905784	Valve	
3	A639905816	Handle	
4	A449904672	O-Ring	
5	A529R04649	"R" cover for steam valve handle	
6	A527704649	Cover for hot water handle	
7	A449904331	Teflon gasket	
8	A209904332	Spring	
9	A229904333	Plate	
10	C400002022	O-Ring	
11	A449904334	O-Ring	
12	C440003449	Siliconr pipe 4 x 7	
13	C400002022	O-Ring	
14	C400003008	O-Ring	
15	C227700536	Hot water nozzle	
16	R290003612	Hot water wand (complete)	
17	C440003449	Silicone pipe 4 x 7	
18	C200002839	Steam nozzle 2 holes 1,5	
19	R290003611	Steam wand (complete)	
20	R299906015	Steam wand with valve	
21	R299906016	Hot water wand with valve	
22	R229905953	Shaft	



Pos.	#	Description	Notes
1	A229904391	Rounded nut	
2	C469900420	Gasket	
3	C619900554	Filter	
4	C229900549	Restrictor 0,8	
6	C469900422	Green gasket	
7	C219900423	Spring	
8	C219900424	Valve	
9	C469900421	Teflon gasket	
10	C449900767	Gasket	
11	A319904599	Screw	
12	R229905238	Shaft	
13	R000002142	Flange	
14	C219900426	Gasket	
15	R000002143	Support	
16	C219900427	Spring	
17	R000002144	Cover	
18	C229901228	Diffuser	
19	C219900430	Valve	
20	A219904309	Spring	
21	C229901165	Cylinder	
22	C219903081	Valve	
23	C219900431	Spring	
24	R000002148	Connector	
25	C469900783	Gasket	
26	R000002149	Connector	
27	C519900103	Shower foil	
28	C449900229	Group gasket	
29	C200002983	Group complete	
30	R299905887	Cam kit	
31	C610003902	7 g filter basket	
	C610003901	14 g filterbasket	
	C619900106	Backflush cap ("blind filter")	
32	A699905020	1 cup filter holder with basket	
	A699905021	2 cups filter holder with basket	
33	R000002146	Pin	
34	R299905888	Lever assembly	
35	RA99905814	Ceramic group shaft	
5	R299906767	Replacement ceramic shaft	



Pos.	#	Description		Notes
1	C229900393	Injector 110 mm		
2	C229900740	Connector		
3	C479900673	Copper gasket		
4	A229904355	Connector		
6	A279905173	Inlet pipe		
7	A229904957	Connector		
8	A279904290	Steam pipe		
9	A499905058	Boiler insulation		
10	C199901550	Thermostat 135°C		
11	A219905510	Vacuum breaker valve		
12	A299904998	Safety valve		
13	C199900839	Boiler level probe		
14	C199901551	Heating element V. 230		
	C199901552	Heating element V.1115		
15	C469900239	Heating element gasket		
16	A119905081	NTC probe		
17	A229905097	Water pipe		
18	C229900520	Connector		
19	A279904289	Return pipe		
20	C229900540	Non return valve		
21	A277704278	Boiler		
22	A299905009	Boiler pressure gauge with capillary pipe		
23	A299905010	Pump pressure gauge with capillary pipe		



Pos.	#	Description	Notes
1	A199904493	Pump motor V. 220-230-240	
	A199904494	Pump motor V. 110-115	
2	A499904364	Anti-vibration absorber	
3	C190004066	Solenoid valve V. 230	
	C190004067	Solenoid valve V.115	
4	C499900769	Silicone pipe 5x8	
5	C439900695	Filter	
6	C229900540	Non return valve	
8	R839905148	Manifold	
9	A449904547	O-ring	
10	A439905146	Coupling	
11	C449900702	O-ring	
12	C430003482	Connector	
13	C019900711	Spring	
14	A449905151	O-ring	
15	C260003822	Silicone pipe 6x9	
16	C220003818	Non return connector	
17	A639904956	Water reservoir handle	
18	R899905144	Water tank complete (18+9+10+11+12+13+14)	*for smaller 210mm tank use R899905145
21	C229900911	Expansion valve	
22	C400002827	Plastic connector	
23	A299904495	Rotary pump	
25	A227704363	Connector	