

SPARE PARTS CATALOGUE

Giotto Classic



Giotto Premium



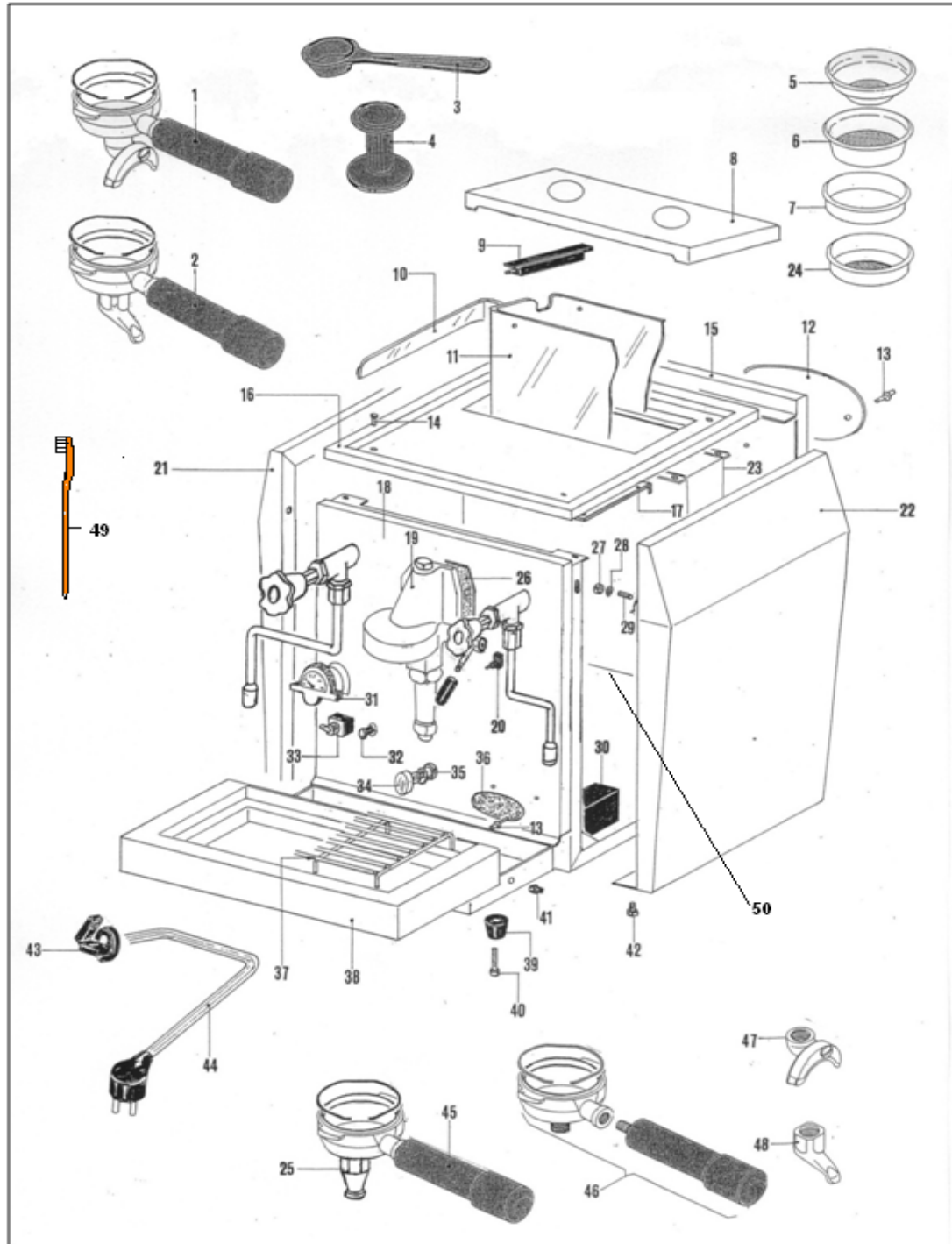
**GIOTTO PREMIUM
PLUS**

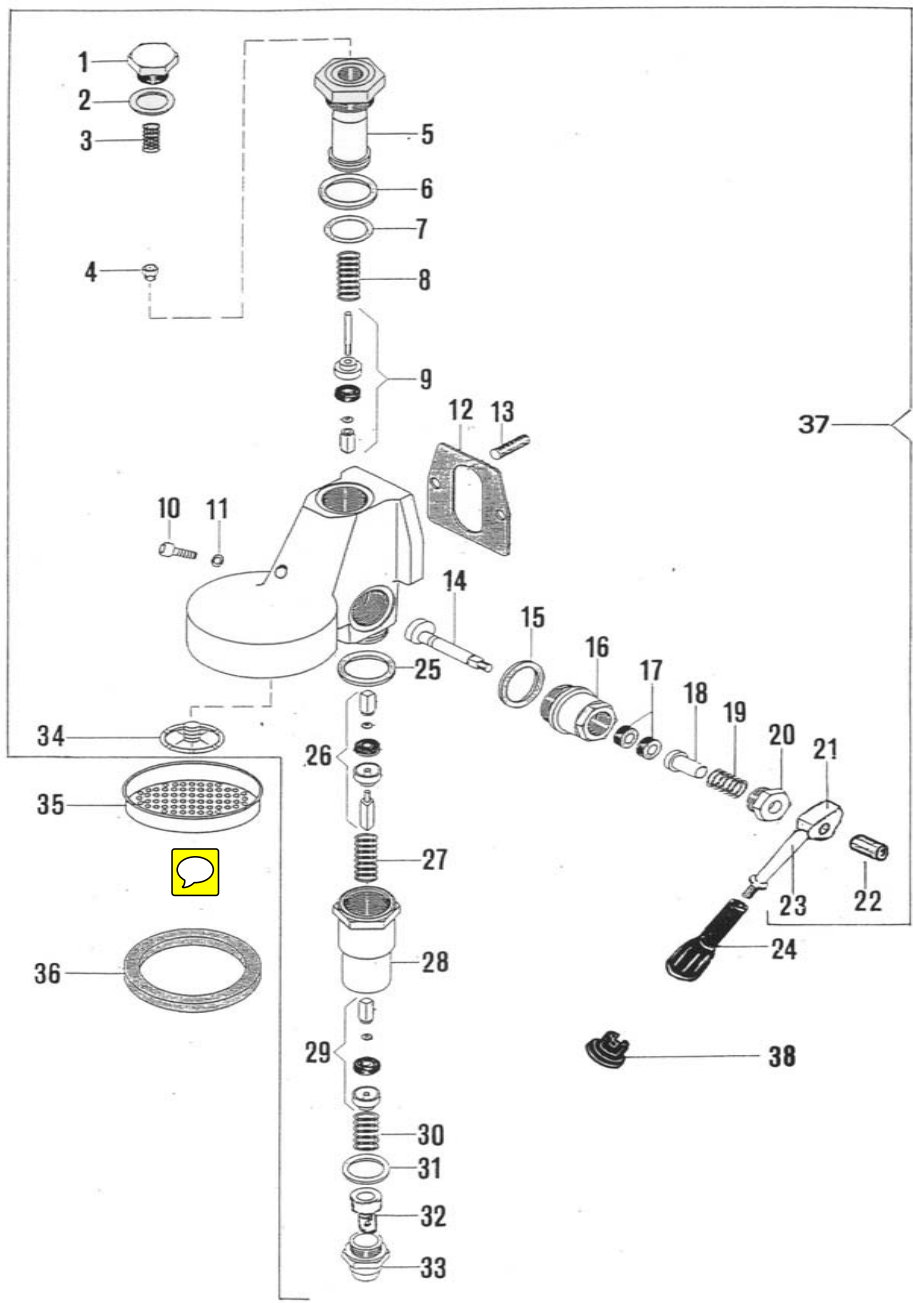


Bodywork

| Pos. | Parts No. | Description |
|------|------------|--|
| 27 | C309900124 | Nut |
| 28 | C319900140 | Washer |
| 29 | C319900411 | Stud |
| 30 | A190004275 | Proelind Control box V 230 (Water level flash) |
| 31 | A299904277 | Steam pressure gauge (PLUS) |
| 31 | C600002834 | Steam pressure gauge |
| 31 | C229900837 | Boiler pressure gauge (Classic) |
| 32 | C199900089 | Green control lamp |
| 33 | A130004285 | Stainless steel switch (PLUS) |
| 33 | C199901356 | Stainless steel switch |
| 34 | C227700898 | Connector |
| 35 | C200001887 | Nut |
| 36 | A859904297 | Front tag Giotto (PLUS) |
| 36 | C859900905 | Front tag Giotto |
| 36 | A859904327 | Front tag Rocket (PLUS) |
| 36 | C859901094 | Front tag Rocket |
| 37 | C010004254 | Grid (PLUS) |
| 37 | C219900249 | Grid |
| 38 | C01L004247 | Drip tray (PLUS) |
| 38 | C01L002115 | Drip tray |
| 39 | A019904281 | Foot (PLUS) |
| 39 | C449900843 | Foot |
| 40 | NA | Screw (PLUS) |
| 40 | C319900412 | Screw M4 x25 |
| 41 | NA | Shock absorber (PLUS) |
| 41 | C449900842 | Shock absorber |
| 42 | C309900745 | Screw |
| 43 | C439900086 | Cable presser |
| 44 | C199900957 | Power cord CE |
| 44 | C199900958 | Power cord UL |
| 45 | A639904328 | 1 cup filter holder (PLUS) |
| 45 | C699903035 | 1 cup filter holder |
| 46 | NA | Filter holder with handle (PLUS) |
| 46 | C200002268 | Group handle without spout |
| 47 | C229900566 | Long 2 cups spout |
| 48 | C229900562 | Long 1 cup spout |
| 49 | C639901599 | Orange Group Head Brush |
| 50 | C00000428 | Giotto Premium Plus Chasis |

Rocket Giotto Premium & Plus Series

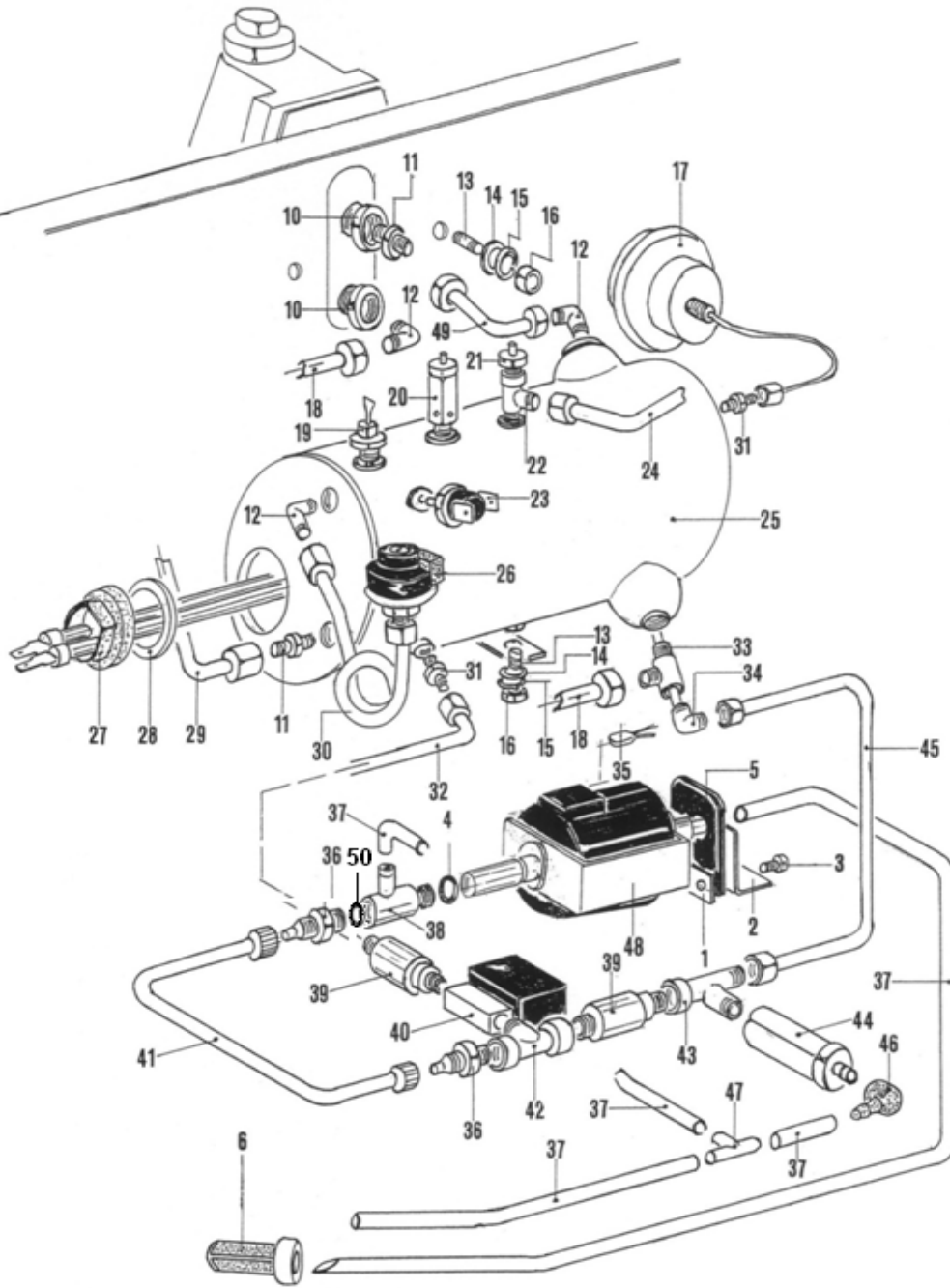




Group

| Pos. | Parts No. | Description |
|------|------------|----------------------------|
| 1 | R000002141 | Nut |
| 2 | C469900420 | Gasket |
| 3 | C619900554 | Filter |
| 4 | C229900549 | Restrictor 0,8 |
| 5 | C229901133 | Group shaft |
| 6 | C469900421 | Gasket |
| 7 | C469900422 | Gasket |
| 8 | C219900423 | Spring |
| 9 | C219900424 | Valve assembly |
| 10 | C309900164 | Screw |
| 11 | C469901132 | Gasket |
| 12 | C449900767 | Gasket |
| 13 | C309900131 | Pin |
| 14 | C219900425 | Shaft |
| 15 | C469900421 | Gasket |
| 16 | R000002142 | Flange |
| 17 | C219900426 | Gasket |
| 18 | R000002143 | Support |
| 19 | C219900427 | Spring |
| 20 | R000002144 | Cover |
| 21 | R000002145 | Shaft |
| 22 | R000002146 | Pin |
| 23 | A829904329 | Shaft (PLUS) |
| 23 | C500002789 | Shaft |
| 24 | A839904330 | Handle (PLUS) |
| 24 | C400002787 | Handle group valve control |
| 25 | C469900421 | Gasket |
| 26 | C219900430 | Drain valve |
| 27 | C219900423 | Spring |
| 28 | C229901165 | Cylinder |
| 29 | C219903081 | Valve |
| 30 | C219900431 | Spring |
| 31 | C469900783 | Gasket |
| 32 | R000002148 | Connector |
| 33 | R000002149 | Connector |
| 34 | C229901228 | Diffuser |
| 35 | C519900103 | Shower |
| 36 | C449900229 | Group gasket |
| 37 | C200002983 | Group |
| 38 | NA | Cover (PLUS) |
| 38 | C400002838 | Group lever handle cover |

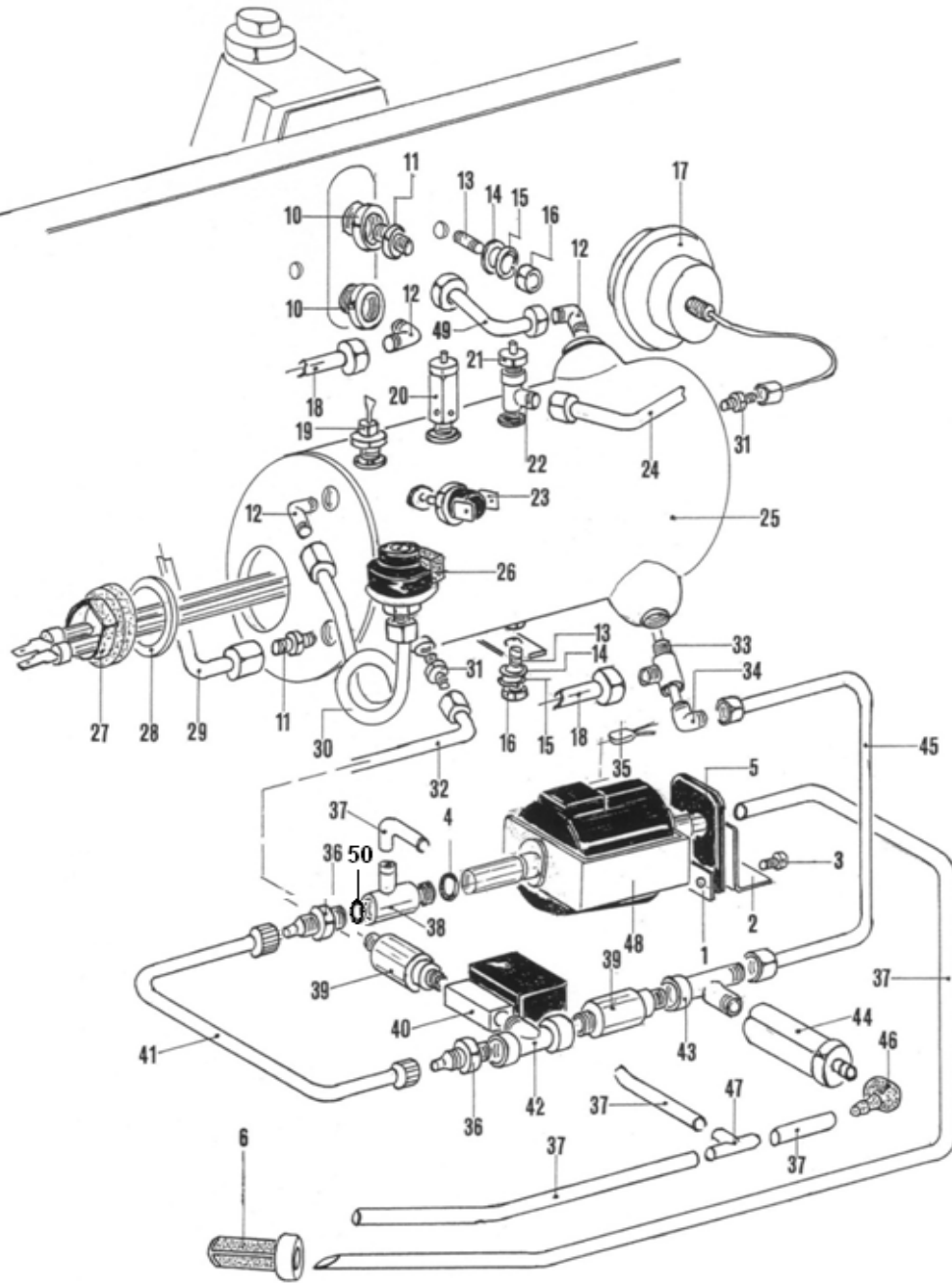
Hydraulics



| Pos. | Parts No. | Description |
|------|------------|----------------------------------|
| 1 | C000002076 | Pump support |
| 2 | C000002075 | Pump support |
| 3 | C309900128 | Screw |
| 4 | C449900786 | Gasket |
| 5 | C400002077 | Support |
| 6 | C639900933 | Filter |
| 10 | NA | Connector (PLUS) |
| 10 | C229900236 | "Connector / Reduction 1/4"***** |
| 11 | NA | Connector (PLUS) |
| 11 | C229900520 | Connector 1/4"***M-1/4"***M |
| 12 | NA | Connector (PLUS) |
| 12 | C229900525 | Connector ""L"" 1/4" M |
| 13 | C309900131 | Pin |
| 14 | C309900158 | Washer |
| 15 | C399900152 | Washer |
| 16 | C309900127 | Nut |
| 17 | A299904277 | Boiler pressure gauge (PLUS) |
| 17 | C600002834 | Steam pressure gauge |
| 17 | C229900837 | Boiler pressure gauge (Classic) |
| 18 | A279904289 | Pipe Return (PLUS) |
| 18 | C229900395 | Pipe |
| 19 | C199900839 | Boiler level probe |
| 20 | A229904295 | Safety valve (PLUS) |
| 20 | C229900559 | Safety valve |
| 21 | A219900560 | Vacuum breaker valve (PLUS) |
| 21 | C219903151 | Vacuum breaker valve |
| 22 | C229900528 | Connector |
| 23 | C199901550 | Thermostat |
| 24 | A279904290 | Steam pipe (PLUS) |
| 24 | C229900396 | Steam wand |
| 25 | C277704263 | Nickel plated boiler (PLUS) |
| 25 | D277700250 | Nickel plated boiler |
| 26 | A199904296 | Pressure switch SIRAI (PLUS) |
| 26 | C199900908 | Pressure switch MATER UL |
| 26 | C199900294 | Pressure switch MATER |

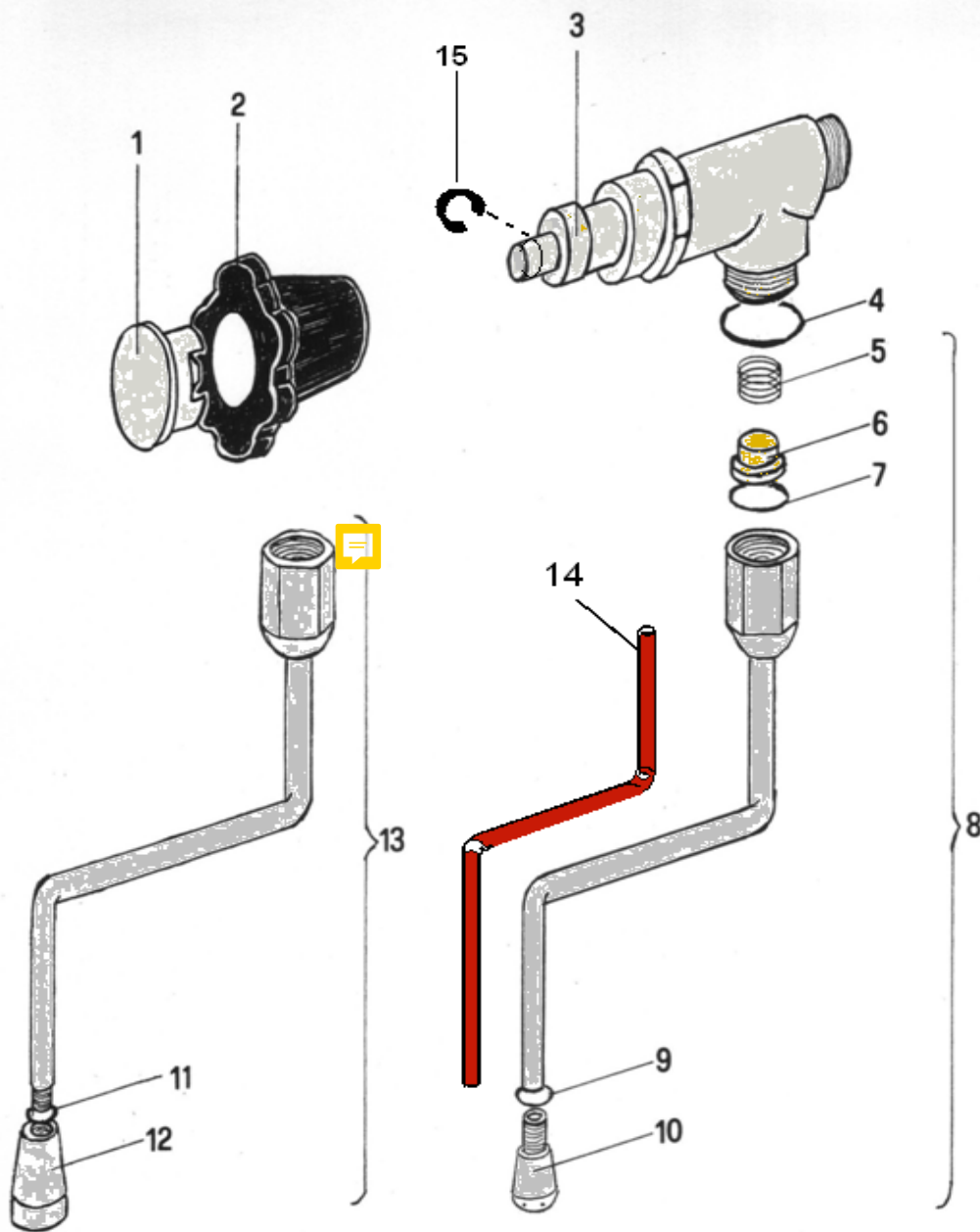
Rocket Giotto Premium & Plus Series

Hydraulics



| Pos. | Parts No. | Description |
|------|------------|------------------------------------|
| 27 | C199901552 | Heating element V. 115 |
| 27 | C199901551 | Heating element V. 230 |
| 28 | C469900239 | Gasket |
| 29 | A279904291 | Water pipe (PLUS) |
| 29 | C229900397 | Water wand |
| 30 | A279904292 | Pressure switch pipe (PLUS) |
| 30 | C229901576 | Pressure switch pipe |
| 31 | C229900518 | Connector |
| 32 | C229900400 | Boiler fill pipe |
| 33 | C229900740 | Connector |
| 34 | C229900393 | Injector |
| 35 | C199900969 | Pump thermoprotector |
| 36 | C229900708 | Connector 1/8" |
| 37 | C499900769 | Silicone pipe |
| 38 | C200002112 | Valve |
| 39 | C229900540 | Non return valve |
| 40 | NA | Solenoid valve V 230/50 ODE (PLUS) |
| 40 | C100001862 | Solenoid valve V 230/50 ODE |
| 40 | C190004066 | Solenoid valve V 230/50 PARKER |
| 41 | C269900300 | Teflon pipe |
| 42 | C229900703 | Connector |
| 43 | C229900644 | Connector |
| 44 | C229900911 | Expansion valve |
| 45 | C229900399 | Pipe |
| 46 | C449900709 | Rubber connector |
| 47 | C400001932 | Connector |
| 48 | C199900280 | Pump V. 230/50 |
| 48 | C199901513 | Pump V. 200/50-60 |
| 48 | C199901540 | Pump V. 220/60 |
| 49 | A279904288 | Pipe Inlet (PLUS) |
| 49 | C229900394 | Pipe |
| 50 | C449900702 | Gasket OR 2031 |

Rocket Giotto Premium & Plus Series

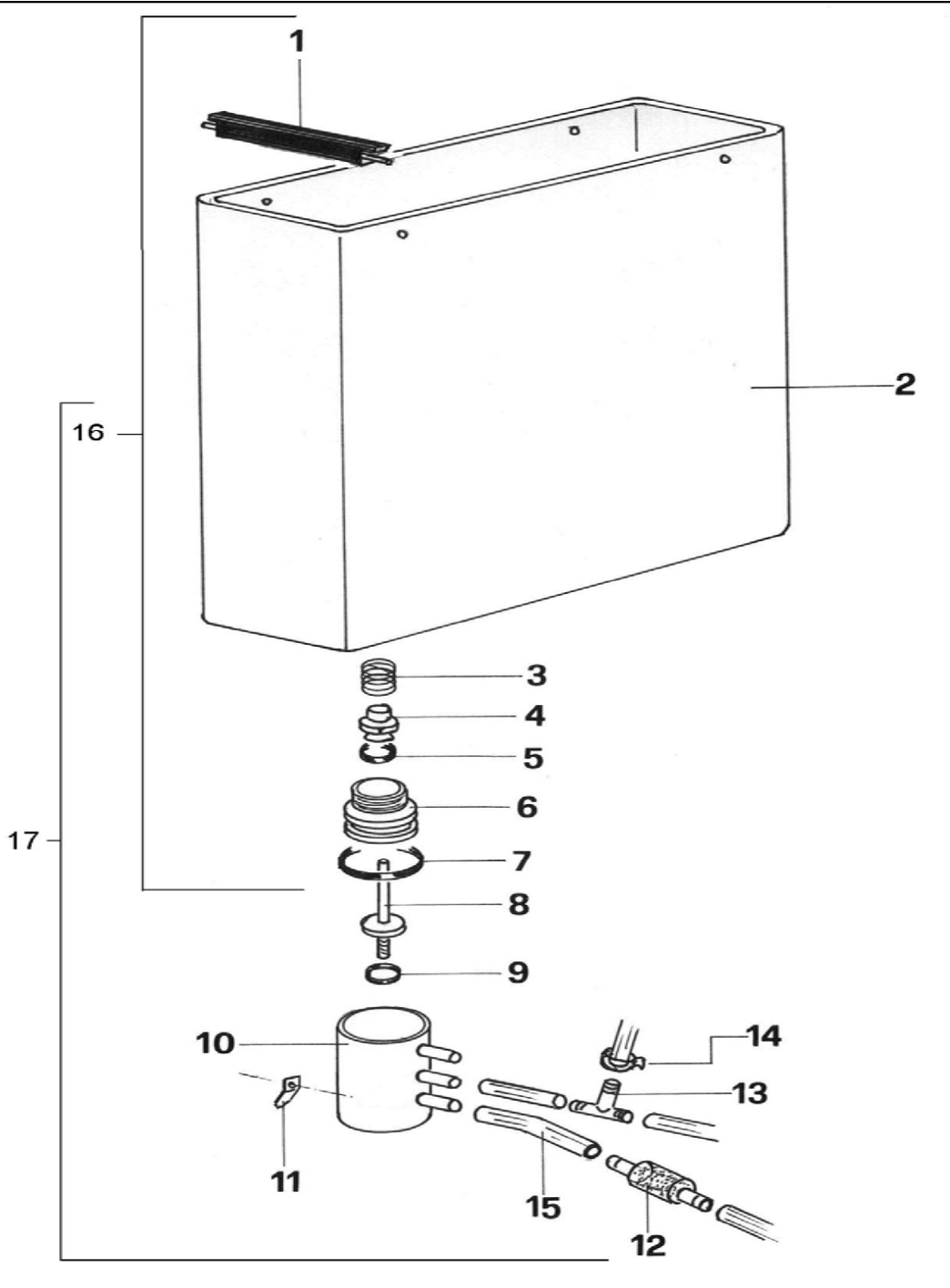


Steam wand/valve

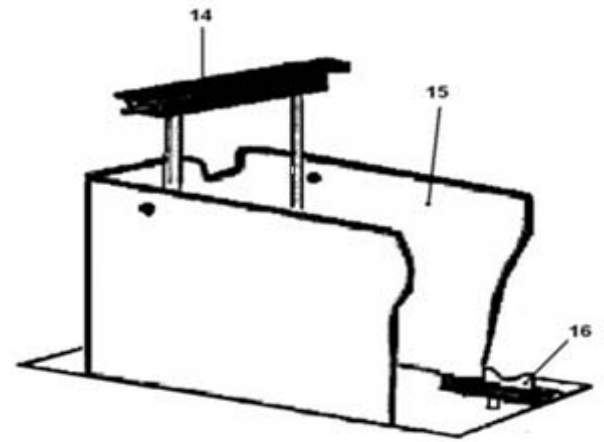
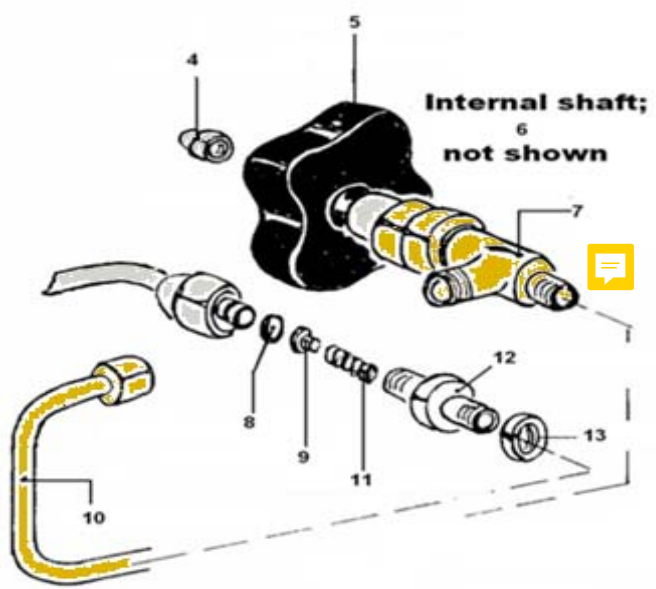
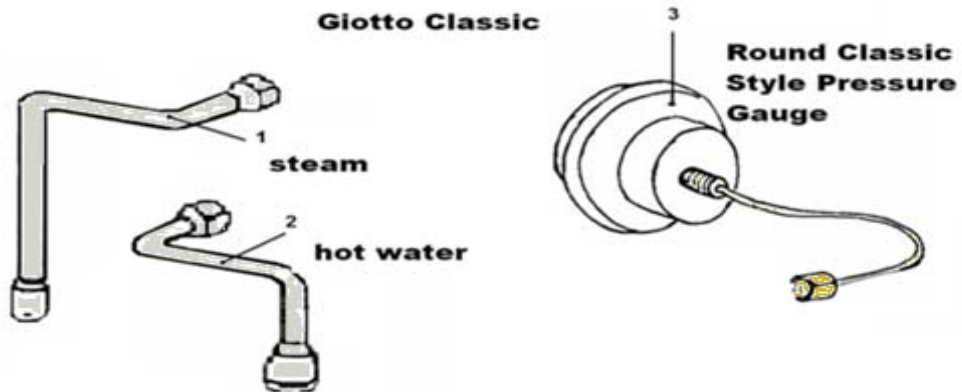
| Pos. | Parts No. | Description |
|------|------------|--------------------------------------|
| 1 | A527704283 | Cover handle (PLUS) |
| 1 | C400002837 | Cover handle |
| 2 | A430004284 | Steam/water valve handle (PLUS) |
| 2 | D400002788 | Steam/water valve handle |
| 3 | A227704280 | Steam/hot water valve (PLUS) |
| 3 | C200002840 | Steam/hot water valve |
| 4 | A449904331 | OR (P) |
| 4 | C400002966 | OR |
| 5 | A209904332 | Spring (PLUS) |
| 5 | C200002964 | Spring |
| 6 | A229904333 | Plate (PLUS) |
| 6 | C400002965 | Plate |
| 7 | A449904334 | OR (PLUS) |
| 7 | C400001795 | OR |
| 8 | R290003611 | Steam wand no-burn |
| 9 | C400002022 | OR |
| 10 | C200002839 | 2 holes steam nozzle stainless |
| 11 | C400003008 | OR |
| 12 | C227700536 | Hot water nozzle |
| 13 | R290003612 | Hot water wand |
| 14 | C440003449 | NON BURN Silocone Pipe (20cm length) |
| 15 | C200002849 | C-clip to stop handle |

Water Reservoir

| Pos. | Parts No. | Description |
|------|------------|----------------------------|
| 1 | D499901139 | Tank handle |
| 2 | C430003481 | Water tank |
| 3 | C019900711 | Spring |
| 4 | C430003482 | Seal connector |
| 5 | C449900702 | OR 2031 |
| 6 | C430003475 | Coupling |
| 7 | C449901446 | OR 139 |
| 8 | C520003483 | Opening valve rod |
| 9 | C449901159 | OR 104 |
| 10 | C430004245 | Manifold (PLUS) |
| 10 | C430003487 | Manifold |
| 11 | C300002074 | Male faston |
| 12 | C439900695 | Suction filter |
| 13 | C400002827 | Rubber T connector |
| 14 | C019900935 | Clip |
| 15 | C400001928 | Silicone pipe 4x7 |
| 16 | R890003729 | Tank assembly |
| 17 | R890003649 | New water reservoir system |



Rocket Giotto Premium & Plus Series

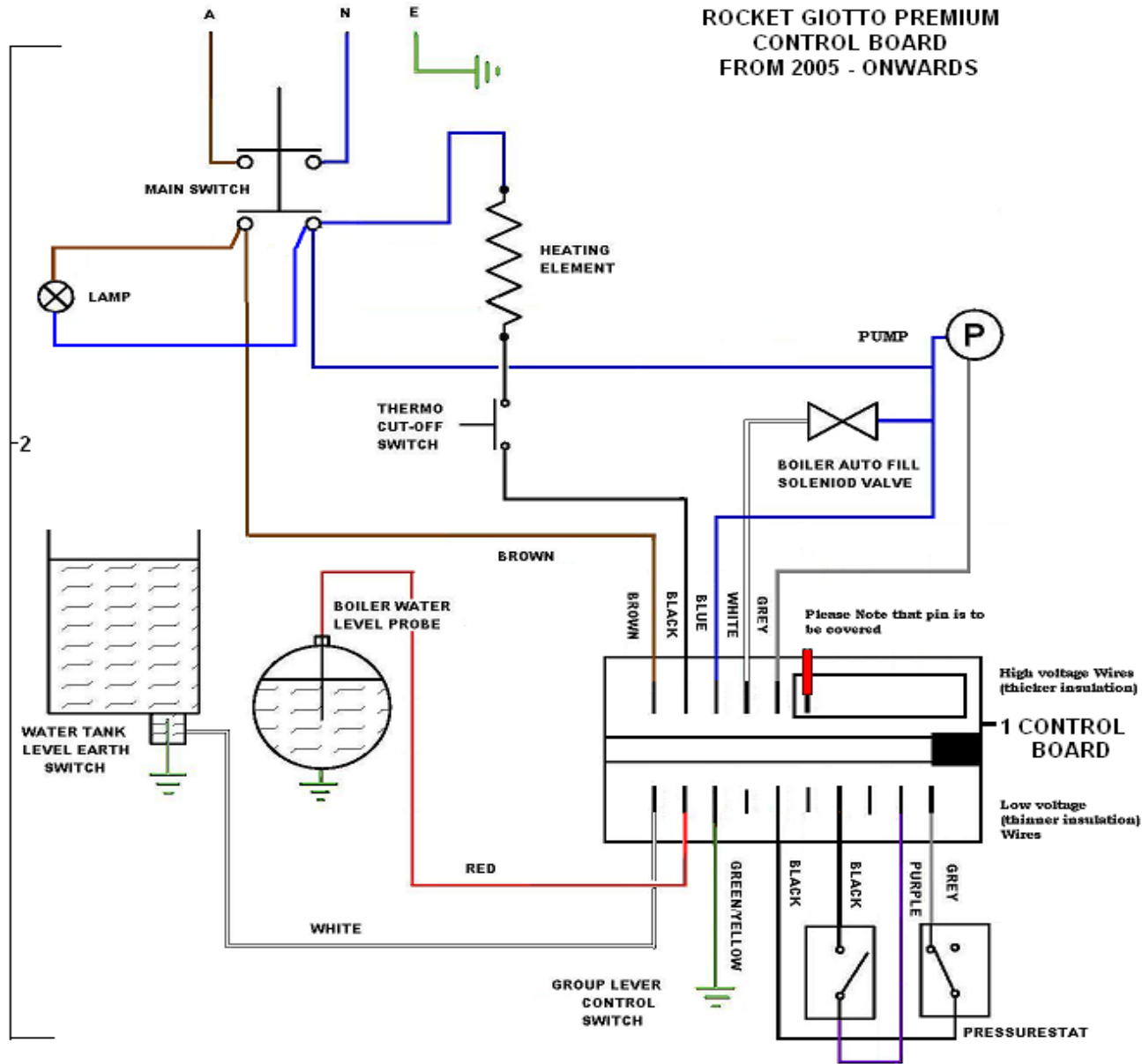


GIOTTO CLASSIC

| Pos. | Parts No. | Description |
|------|------------|---------------------------------|
| 1 | C277700401 | Wand Steam |
| 2 | C277700402 | Hot water wand (Giotto Classic) |
| 3 | C229900837 | Boiler pressure gauge |
| 4 | C319901582 | Nut Blind M6 |
| 5 | C439900841 | Handle |
| 6 | C529901595 | Valve Shaft Lever |
| 7 | C199900090 | Valve Steam/Hotwater |
| 8 | C449900786 | Gasket gigneur 3/8" |

| | | |
|----|------------|-------------------------------|
| 9 | C500002133 | Support hot water arm seat |
| 10 | C229900398 | Seam pipe |
| 11 | C300002131 | Spring hot water seat |
| 12 | C227700844 | Hw Spout mount VA |
| 13 | C329900682 | "Nut 1/4"*****" |
| 14 | C499901140 | Probe reservoir level control |
| 15 | C639900762 | Tank 3lt |
| 16 | C499901138 | Support Probe |

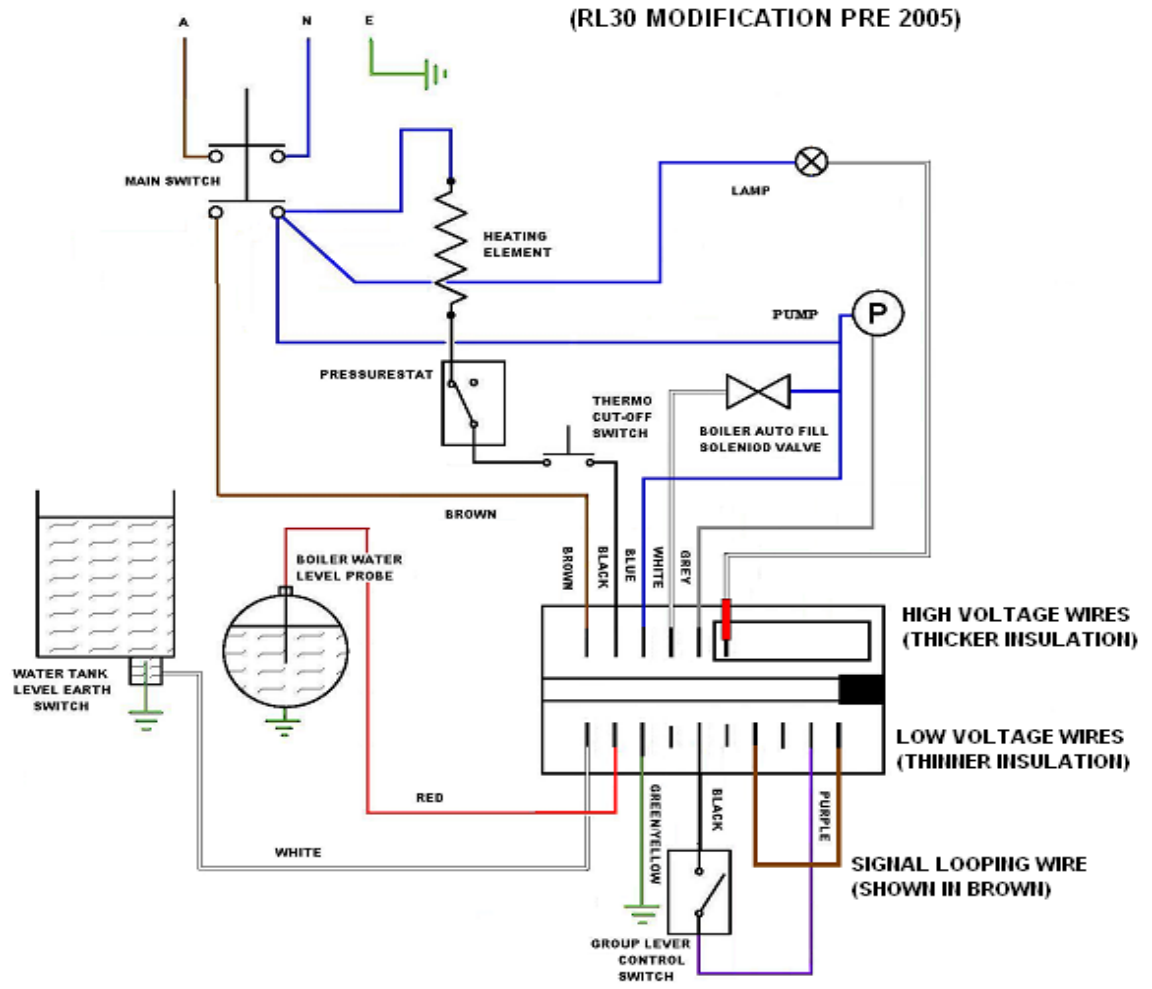
**ROCKET GIOTTO PREMIUM
CONTROL BOARD
FROM 2005 - ONWARDS**



| Pos. | Parts No. | Description |
|------|------------|--|
| 1 | A190004275 | Proelind Control box V 230 (Water low level flash) |
| 2 | A190004274 | Wiring Loom |

Rocket Giotto Premium & Plus Series

**ROCKET GIOTTO CONTROL BOARD
(RL30 MODIFICATION PRE 2005)**



| Pos. | Parts No. | Description |
|------|------------|--|
| 1 | A190004275 | Proelind Control box V 230 (Water low level flash) |
| 2 | A190004274 | Wiring Loom |

Rocket Giotto Premium & Plus Series