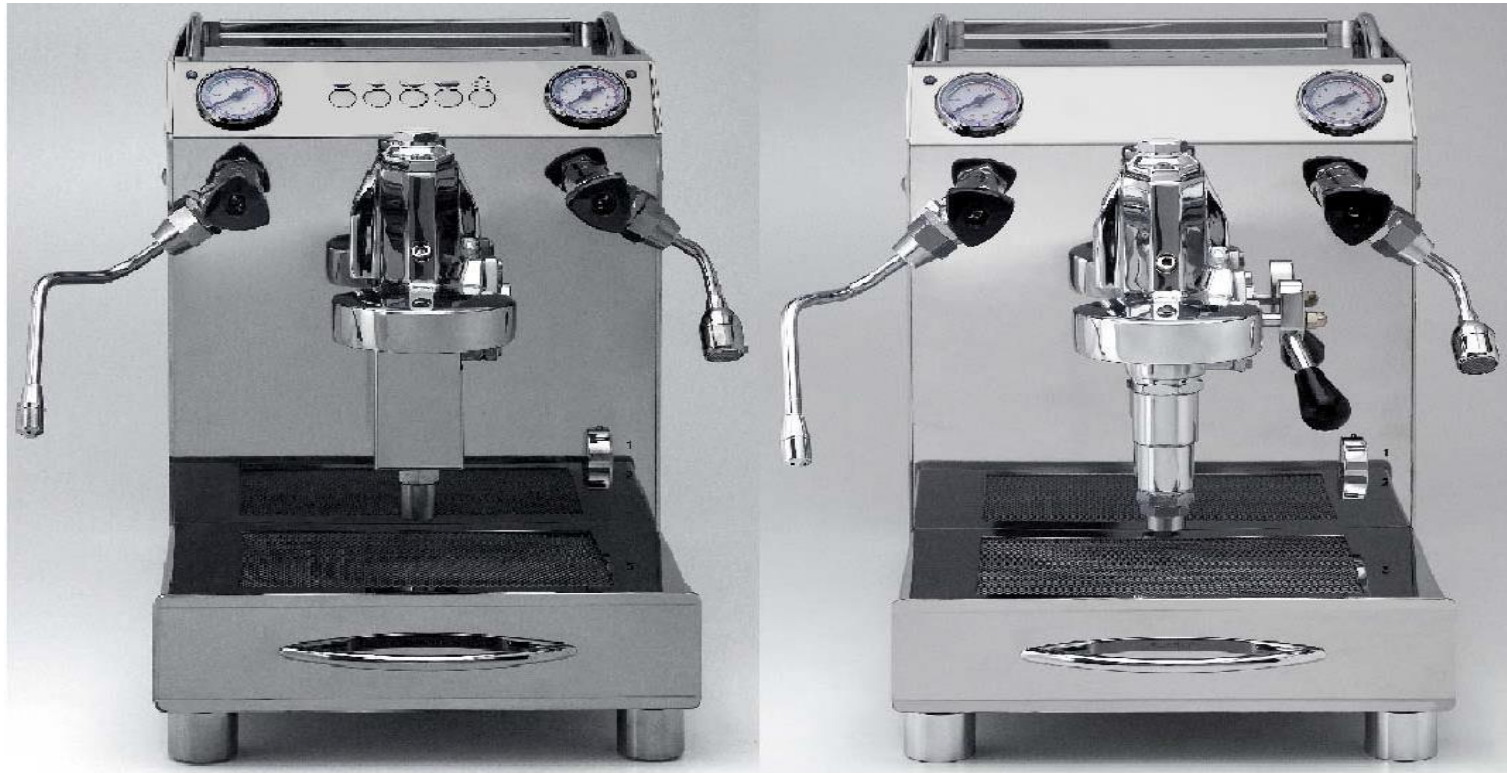
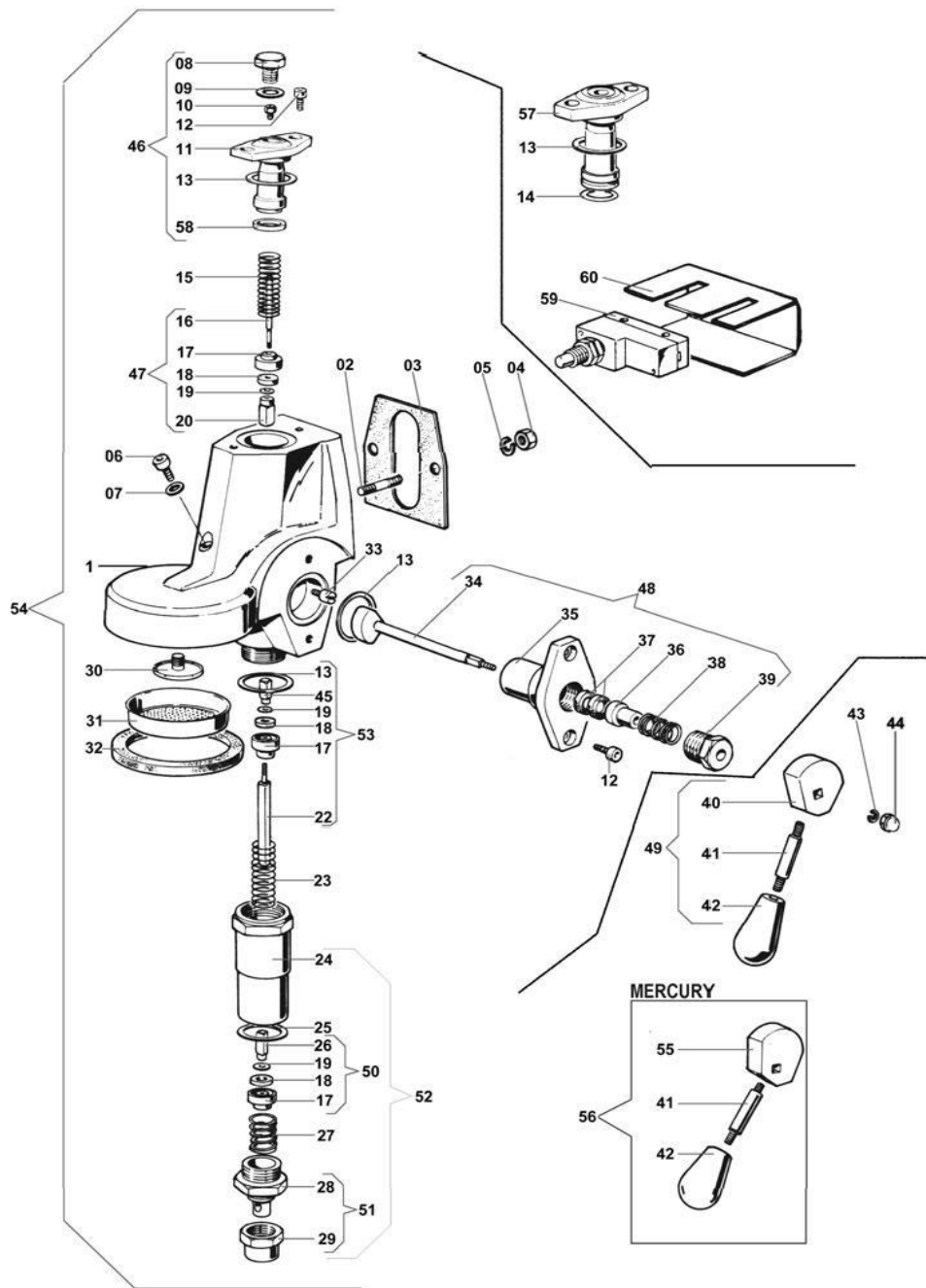


DOMOBAR SUPER SPAREPARTS



CATALOGUE



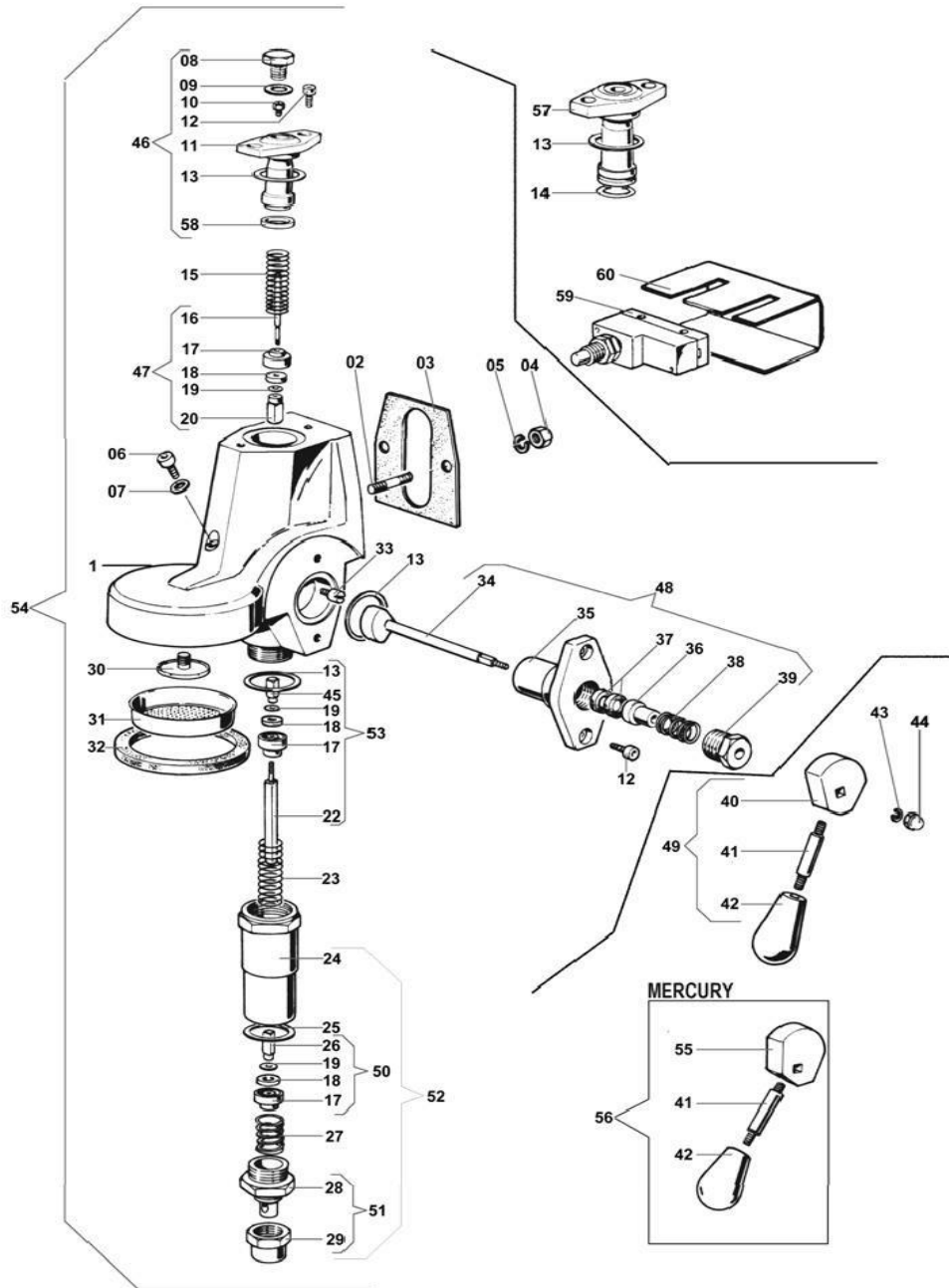
MANUAL GROUP

DOMOBAR SUPER

POS.	PART NO.	DESCRIPTION	Bin
1	CORPOGRUPPO	ASSEMBLY/BODY MANUAL GROUP	BF4
2	PRIG8MA	SCREW M8X27 T.F.8-15	
3	GUARGR	GROUP GASKETS ASOLATE	
4	VITEDAD8MAZI	NUTS UNI 5587 8MA 6S ZINC.	
5	VITERONGR8MA	INOX WASHERS UNI 1751 8MA	
6	VITEBR6MACO	SCREW 6MA BRUGOLA	
7	VITERON6TEFLO	TEFLON WASHER D.6 DIS.359	
8	RACCTACHCASU	CAP FOR UPPER LOCK GROUP	
9	GUARTACHGR	CAP GASKETS FOR GROUP LOCK DIS.344	
10	RACCGIES7	GIGLER GROUP ES7 DIS.327	Cab1-D7-L
11	RACCCASU	GROUP CAP	
12	VITEBR6MA	SCREW 6MA	CH3 Row A
13	GUARCAINGRTE	CAP FOR LOWER LOCK GOUP	Cab1-D8-F
14	GUAROR128	GASKETS OR 128 EP851	YELLOW 6C
15	MOLLVAER	DELIVERY-VALVE SPRING	Cab1-D13-A
16	RACCPEVAER	DELIVERY-VALVE PIN	
17	RACCPUGU	GASKET-HOLDER	
18	GUARPI	PLANE GASKET EP851 13X4X4 DIS.170	Cab1-D6-G
19	RACCROPOGU	GASKET-HOLDER WASHER	
20	RACCGAVAERQU	LARGE VALVE SQUARE PIN	
22	RACCPEINTR	VALV ROD	
23	MOLLVAIN	INFUS.ION VALVE SPRING	Cab1-D13-A
24	RACCCAIN	INFERIORE CAP GROUP COMPL.	
25	GUARTE	GASKET 170 DIS.325	
26	RACCGASCTR	OUTLET VALVE SQUARE PIN	
27	MOLLSC	DRAIN-SPRING & EXPANSION-VALVE	Cab1-D13-D
28	RACCTASC28	DRAIN-PLUG P28	
29	RACCTASC29	DRAIN-PLUG P29	

DOMOBAR SUPER

MANUAL GROUP



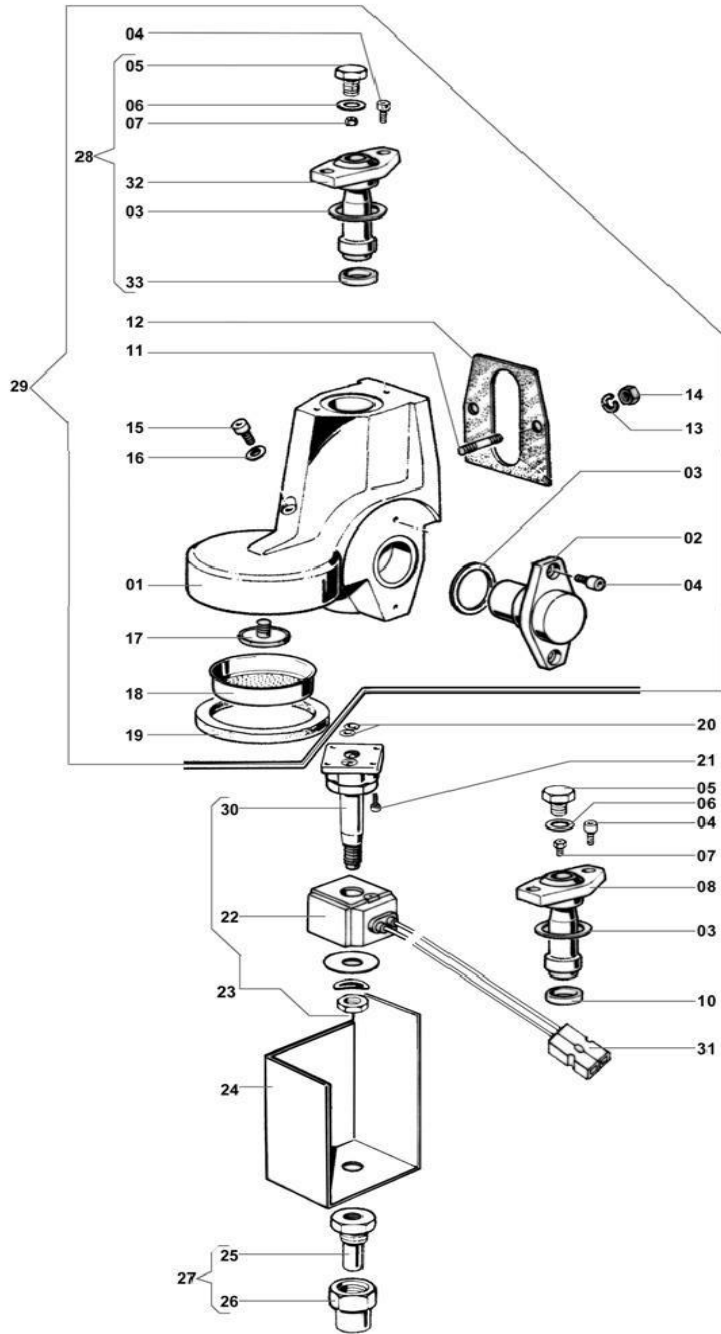
DOMOBAR SUPER

MANUAL GROUP

POS.	PART NO.	DESCRIPTION	Bin
30	RACCSPGR	THREAD GROUP	BE3/3
31	FILTDCREGR	NET SHOWER	CD3
32	GUARSOT	UNDERPAN GASKETS	BB1
33	RACCPEFECA	PIN LEVER BUTT	Cab1-D1-G
34	RACCALCAGR	LEVER ROD	Cab1-D6-M
35	RACCCACOGR	LOCK COMMAND GROUP	
36	RACCBUPRGO	BUSH	Cab1-D6-M
37	GUARPICA	PLANE GASKET CAMME EP709 15,5X7,5X4	Cab1-D9-A
38	MOLLPRGO	SPRING	GREEN 10
39	RACCTAPRGO	CAP	GREEN 25
40	TUBIP714	LEVER BASE MICRO REPL. P.714	Cab2-D3-D
41	TUBIP715	LEVER BASE ROD MICRO P.715	Cab2-D3-E
42	MANPPOLE	COMMAND HANDLE I.147/40 M8 19802	Cab2-D3-D
43	VITERONGR6MA	INOX WASHERS UNI 1751 6 MA	GREEN 24
44	VITEDACE6MAIN	INOX CAP-NUTS 6MA	Cab1-D1-K
45	RACCGAVAINQU	OUTLET VALVE SQUARE PIN	
46	ASSCANOTTO	SET FOR UPPER CUP LOCK GROUP	Cab2-D2-D
47	ASSVALVEROG	SET DISTRIBUTION VALVE	Cab1-D8-C
48	ASSCOMGRCAMME	SETCOMMAND LEVER BASE	Cab3-D2-D
49	ASSCOMGRUPPO	COMMAND HANDLE	Cab2-D3-E
50	ASSVALVSCAR	SET DISCHARGE VALVE	Cab1-D8-G
51	ASSTASC	SET DISCHARGE CAP	BG2/1
52	ASSSCCOM	SET DISCHARGE COMPLETE	
53	ASSVALVINI	SET INFUSION VALVE	Cab1-D8-E
54	GRUPMANREP291	MANUAL GROUP REPLICA P. 291	
55	TUBICAMMERC	MERCURY COMMAND HANDLE	Cab1-D6-G
56	ASSCOMGRUPMER	COMMAND HANDLE FOR MERCURY	
57	RACCCASUTEPI	SUPERIOR CAP	
58	GUARCASUTEPI	GASKET SUPERIOR CAP	Cab1-D5-P
59	ELETMICRE	MICRON	Cab3-D2-B
60	COPEMICRO	CAP FOR MICRON	

DOMOBAR SUPER

AUTOMATIC GROUP



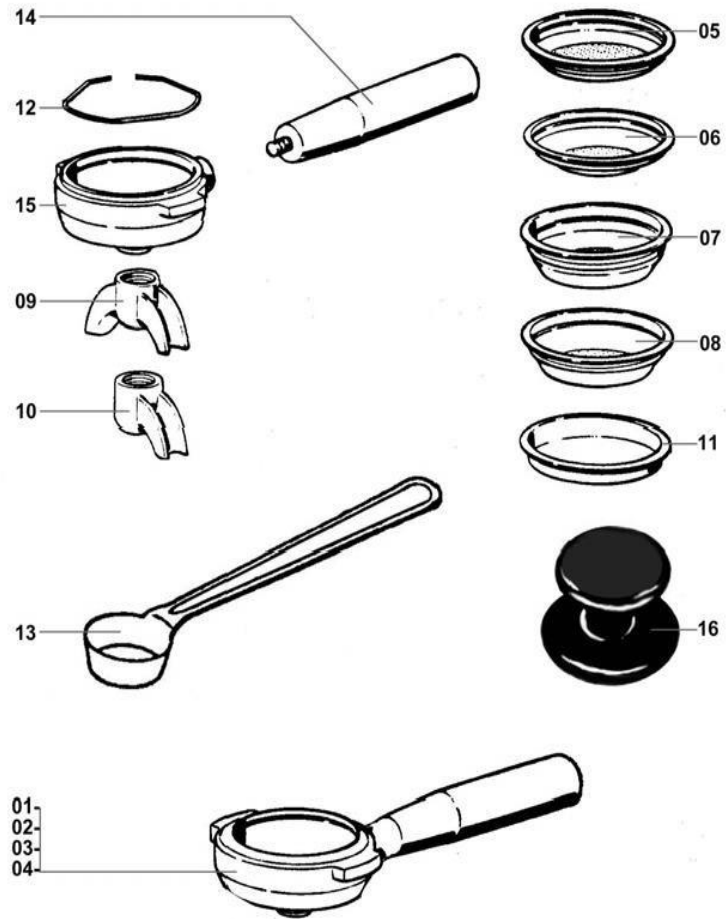
DOMOBAR SUPER

POS.	PART NO.	DESCRIPTION	Bin
1	CORPOGRUPAUT	ASSEMBLY/BODY AUTOMATIC GROUP	
2	RACCATN	LATERAL AUTOMATIC GROUP CAP	
3	GUARCAINGRTE	INFERIOR CAPGASKETS	Cab1-D8-F
4	VITEBR6MA	SCREW 6MA	CH3 Row A
5	RACCTACHCASU	CAP FOR UPPER CAP GROUP LOCK	
6	GUAROR128	GASKETS OR 128 EP851	YELLOW 6C
7	RACCGIES7	GIGLER GROUP ES7	Cab1-D7-L
8	RACCCASU	SUPERIOR GROUP CAP COMPLETE	
11	PRIG8MA	SCREW M8X27 T.F. 8-15	
12	GUARGR	GROUP GASKETS	
13	VITERONGR8MA	INOX WASHERS UNI 1751 8MA	
14	VITEDAD8MAZI	NUTS UNI 5587 8MA 6S ZINC.	
15	VITEBR6MA	SCREW 6MA	CH3 Row A
16	VITERON6TEFLO	TEFLON WASHER D.6	
17	RACCSPGR	THREAD GROUP	BE3/3
18	FILTDCREGR	NET SHOWER	CD3
19	GUARSOT	UNDERPAN GASKETS	BB1
20	GUARR5	GASKET R5 EP851	
21	VITEVITBR	INOX SCREW UNI 5931 4X10 MA	
22	ELETBO3V	SOLENOID VALVE COIL 3 VIE 304398	Cab1-D10-E
23	ELETELE3VCAB	SOLENOID VALVE CABLATA 3 VIE VE128IR	Cab1-D10-A
24	COPEELEGRINEW	SOLENOID VALVE COVERING FOR INOX GROUP	BE4
25	RACCTASC28AUT	DRAIN-PLUG P28	
26	RACCTASC29	DRAIN-PLUG P29	
27	ASSTASCAUT	SET OF DISCHARGE CAPAUTOMATIC GROUP	
28	ASSCANOTTO	SET GROUP CAP	Cab2-D2-D
29	GRUPAUT	CHROMIUM-PLATED AUTOMATIC GROUP	
30	ELETCELE	SOLENOID VALVE BODY (PM 128 IR)	CGFloor
31	ELETMORSPA21	TERMINAL BOARD PA/21/12	
32	RACCCASUTEPI	SUPERIOR GROUP CAP	
33	GUARCASUTEPI	GASKET SUPERIOR CAP	Cab1-D5-P

AUTOMATIC GROUP

DOMOBAR SUPER

DOMOBAR SUPER FILTERHOLDER



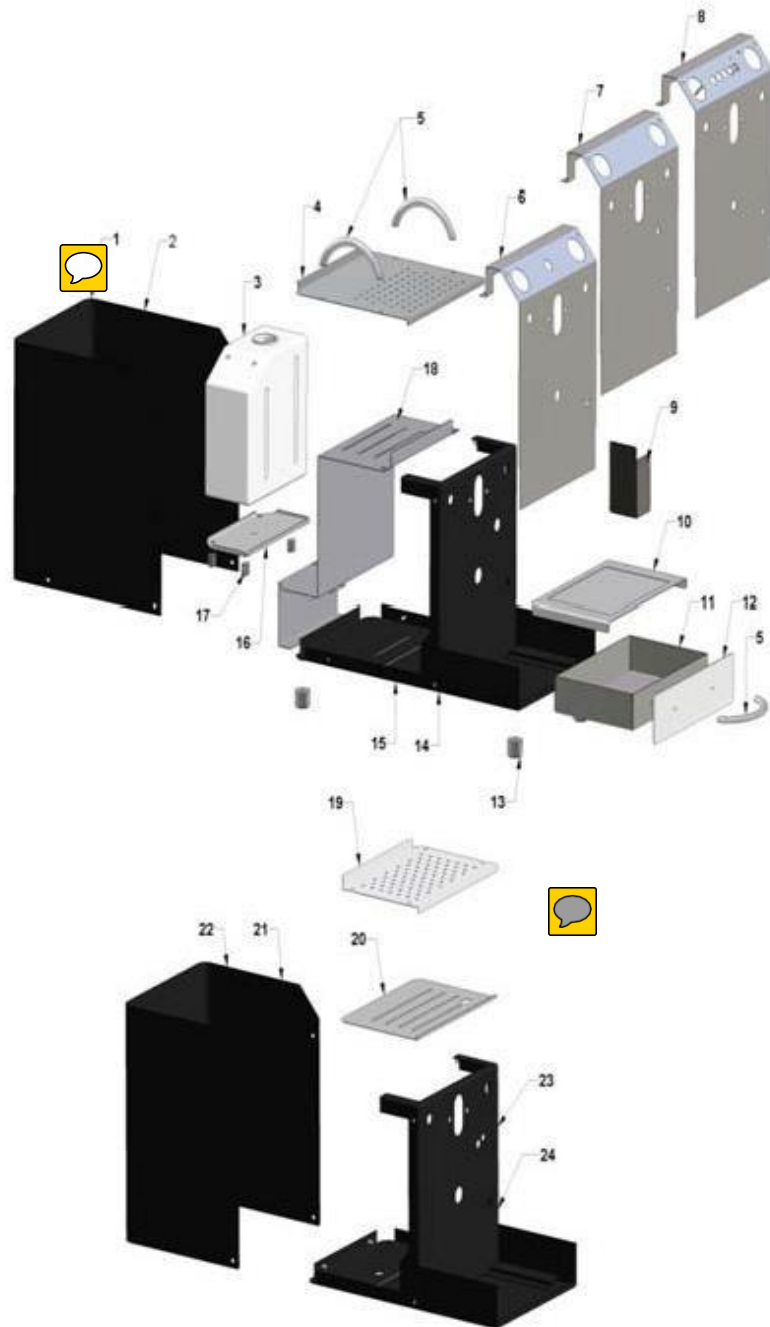
DOMOBAR SUPER

POS.	PART NO.	DESCRIPTION	Bin
1	ASSPORTDOM1TA	ASSEMBLY HIGH FILTERHOLDER DOMOBAR 1	
2	ASSPORTDOM1TB	ASSEMBLY LOW FILTERHOLDER DOMOBAR 1	
3	ASSPORTDOM2TA	ASSEMBLY HIGH FILTERHOLDER DOMOBAR 2	
4	ASSPORTDOM2TB	ASSEMBLY LOW FILTERHOLDER DOMOBAR 2	
5	FILT1TA	HIGH FILTER 1 CUP	YELLOW
6	FILT1TB	LOW FILTER 1 CUP	
7	FILT2TA	HIGH FILTER 2 CUPS	Cab3-D11-E
8	FILT2TB	LOW FILTER 2 CUPS	
9	FILTBEC1TDOM	SPOUT 1 CUP, CURVED & CLOSED	CE1
10	FILTBEC2TDOM	SPOUT 2 CUPS DOMOBAR	CE1
11	FILTCI	COVERED FILTER	
12	FILTMOLPTFL	INOX FILTERHOLDER SPRINGS	
13	MISURINO	DOSING SPOON	
14	PORTIMPPF	FILTERHOLDER HANDGRIP	
15	PORTTN	FILTERHOLDER T.N.PORTTN	
16	PRESSINO	TAMPER	

DOMOBAR SUPER FILTERHOLDER

DOMOBAR SUPER

NEW DOMOBAR SUPERFRAME



The following part numbers need to be ordered if a new frame is required. Do not order the part numbers listed against 14 and 15
TELADOMSUPARV INOX BODYWORK DOMO.SUPER - WATER NET CON EUR 126,5

CARRCASDOSAV2 DRAWER ASSEMBLY PARTS FOR WATER NET CONN EUR 60

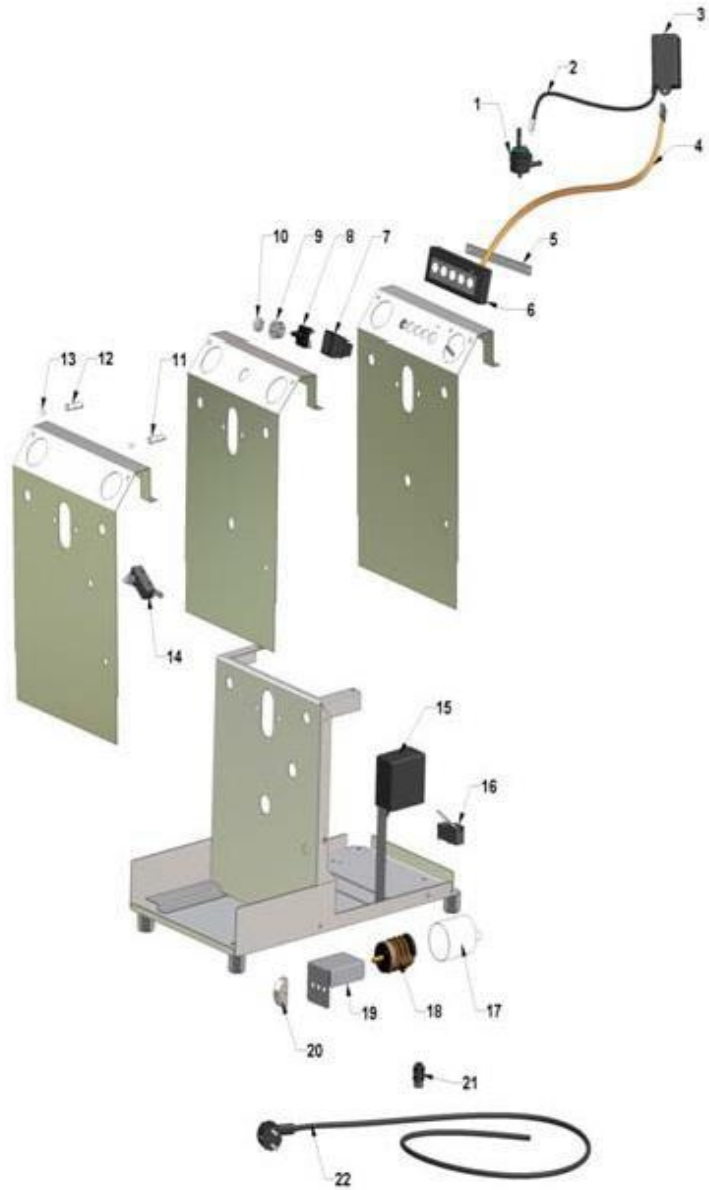
GRIGCSDOMSAR2 GRIGLIA CASSETTO D.S 2011 CON FORO EUR 37

FRONDOMSMLVRV FRONT PANEL-DOMO S. MANUAL EUR 49

POS.	PART NO.	DESCRIPTION	Bin
1	TELADOMSRINEW	INOX COVERING NEW DOMOBAR SUPER	
2	TELADOSURINNW	BLACK COVERING NEW DOMOBAR SUPER	
3	MATECVAACDOSU	WATER TANK FOR DOMOBAR	CD4
4	TELADOMSCONEW	INOX COVERING FOR DOMOBAR FRAME	DB0
5	MANCASCOPKIR	DRAWER HANDLE AND LID FOR DOMOBAR	DB0
6	FRONDOMSPUNEW	INOX FRONT PANEL NEW DOM.S. PUSH BOTTON	
7	FRONDOMSMANEW	INOX FRONT PANEL NEW DOMOBAR SUPER	DB0
8	FRONDOMSELNEW	INOX FRONT PANEL NEW DOM.S. ELECTRONIC	
9	COPEELEGRINEW	SOLENOID VALVE COVERING FOR INOX GROUP	BE4
10	GRIGCSDOMSNEW	DRAWER GRID FOR NEW DOMOBAR SUPER	DB0
11	CARRCASDOSUKI	STEEL INOX DRAWER DOMOBAR SUPER NEW	DB0
12	CARRCFRODOMSK	INOX FRONT PANEL FOR DRAWER NEW	DB0
13	PIEDDOMSUNEW	FEET DOMOBAR SUPER NEW	CEfloor
14	TELADOMBASUNW	FRAME BASE FOR NEW DOMOBAR SUPER	
15	TELADOMSUPNEW	INOX NEW DOMOBAR SUPER FRAME	AB4
16	PIASPRMIDOIN	MICRO PRESS PLATE	GREEN 14
17	MOLLPIASMICDO	MICRO PRESS SPRING DOMOBAR INOX	Cab1-D13-C
18	SUPVASCDOSNEW	TANK SUPPORT NEW DOMOBAR	
19	TELADOMSCARNW	COVERING DOM. SUPER INOX WATER NET	DB0
20	COPEDOMSUPATR	UPPER INTERNAL COVER DOM. SUPER WATER	
21	TELADOSRNARN	BLACK COVERING NEW DOM.S. WATER NET	
22	TELADOMSRINARN	INOX COVERING NEW DOM.S. WATER NET	
23	TELADOBSINARN	INOX FRAME FOR NEW DOM. S. WATER NET	
24	TELADOSARNNEW	BLACK FRAME FOR NEW DOM.S.WATER NET	

NEW DOMOBAR SUPER FRAME

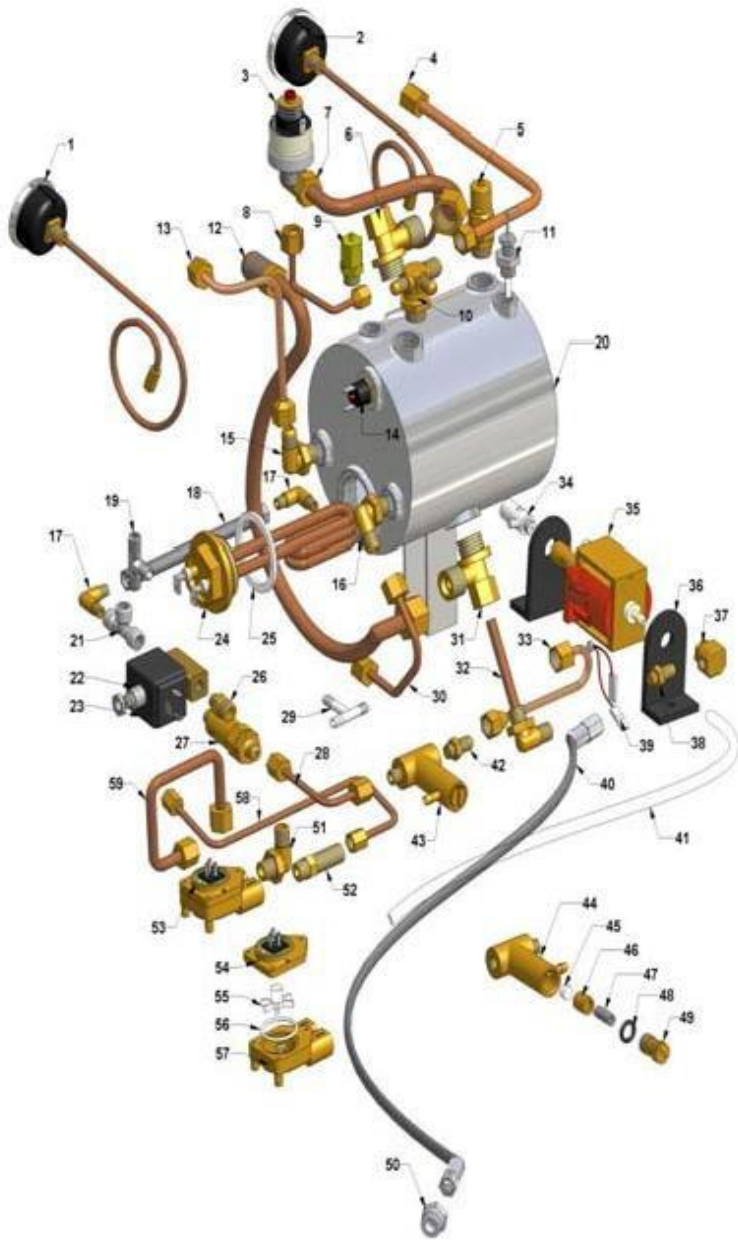
ELECTRIC SYSTEM NEW DOMOBAR SUPER



ELECTRIC SYSTEM NEW DOMOBAR SUPER

POS.	PART NO.	DESCRIPTION	Bin
1	ELETCONTVODOS	VOLUMETRIC COUNTER DOMOBAR SUPER	Cab1-D2-G
2	ELETCAVDOSDOS	LINKING CABLE FROM PLANT TO DOSING	BG1
3	ELETDOS30DOM	DOSING MICROP. 30 4M	Cab3-D3-F
4	ELTECCAV8V600	PUSH BUTTON CABLE 8 WAYS FMM 600	
5	SQUAPIPULS	PUSH BUTTON JAMMING PLATE	
6	ELETPUL1LEDAL	PUSH BUTTON PANEL 1 LED XDOS 3D	BE2
7	ELETCAPEOPR	NEOPRENE CAPSULE FOR PUSH BUTTONS VBM	BG1/3
8	ELETPULBIPDOR	BIPOLAR SWITCH 16A/250V DOMPBAR/S/REPLI	Cab3-D2-E
9	ELETPULSUPOVD	CHROMED OVAL SUPPORT FOR	Cab1-D1-H
10	ELETPULTASCRD	CHROMED BUTTON DOMOBAR SUPER / REPLICA	Cab1-D7-F
11	ELETLAMNEONVE	GREEN WARNING LIGHT DOMOBAR S./REPLICA	Cab1-D2-A
12	ELETLAMNEONRO	RED WARNING LIGHT DOMOBAR S./REPLICA	Cab1-D1-P
13	ELETGEMMATRAS	TRANSPARENT GEM	Cab1-D7-P
14	ELETMICRE	MICROINT. 4AZN3	Cab3-D2-B
15	ELETREGLIV	LEVEL REGULATION RL 30/1E - 2C/C 220V	Cab3-D3-D
16	ELETMICP1	MICROINT. C26ZL3	Cab3-D2-B
17	ELETCUFCOM	COVERING CAP SWITCH VBM 88	
18	ELETCOM	COMMUTATOR 16A VBM88	BG1
19	COPECOMNEWDOS	COMMUTATOR INOX COVERING NEW DOMOBAR	
20	MANCOMREPLCA	COMMUTATOR HAND GRIP DOMOBAR S/REPLICA	
21	FERMACAVPGD9	CABLE STOP PG D 9 WITH FIXING NUT	
22	ELETCAVAL20DO	CABLE 3X1 L2000 SCUKO FF/CC DOMOBAR	

WATERWORKS NEW DOMOBAR SUPER

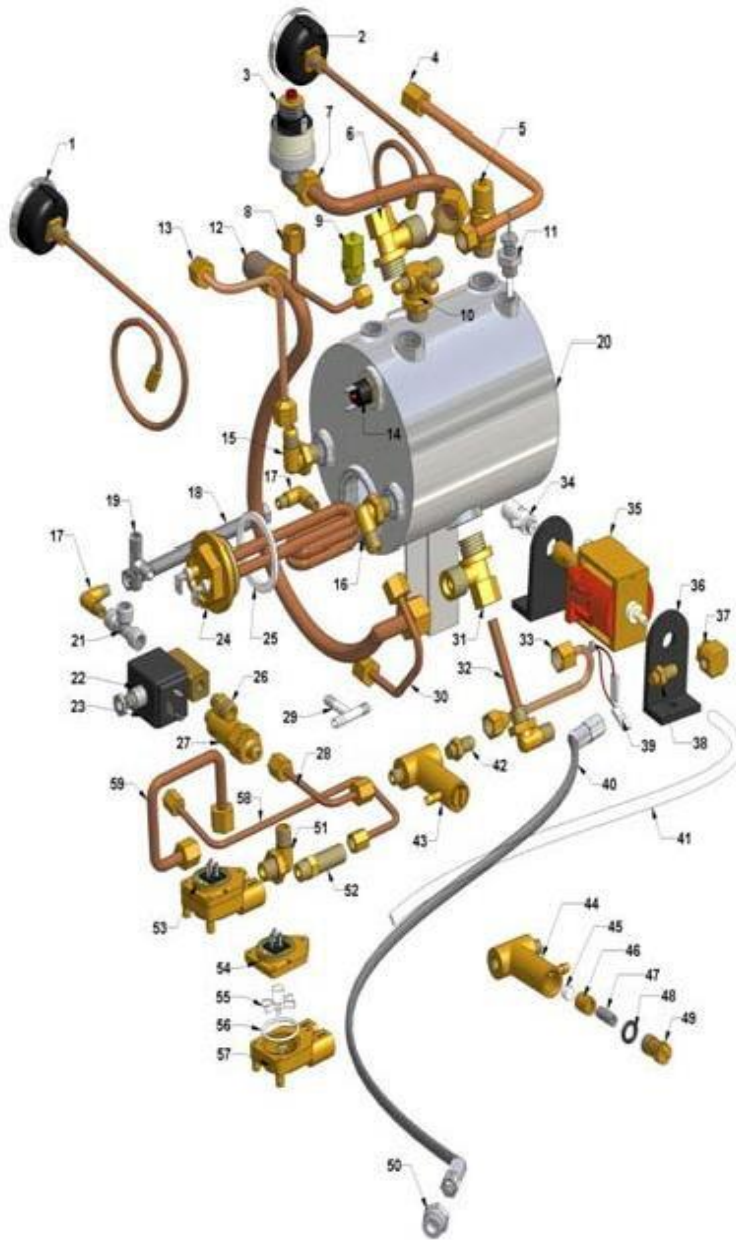


POS.	PART NO.	DESCRIPTION	Bin
1	MANMDOE40016	MANOMETER D 40 0-16 DOMOBAR SUPER	Cab3-D3-B
2	MANMDOE40025	MANOMETER D 40 0-2-5 DOMOBAR SUPER	Cab3-D3-B
3	ELETPREDOMSU	PRESSURE SWITCH DOMOBAR S. PD15 01	BG1
4	TUBIP736B	TUBE FROM TAP TO STEAM LANCE	Cab1-D11-H
5	VALVMOSP	SPRING VALVE 3/8 DV VS COD 8F 447	GREEN 9
6	RACCP427	INLET FITTING FOR TUBE P427	
7	TUBIP849	GROUP INLET TUBE NEW DOMOBAR SUPER	BC2/2
8	TUBIDOMPART1B	DOMOBAR BENT TUBE PART 1 TUB1DOM	BC2/4
9	VALVSFME	MERCURY OUTLET VALVE	Cab1-D9-E
10	RACCP433	FITTING 3 WAYS	
11	ELETSON	LEVEL PROBE	BG1
12	TUBIRITGRDOSU	OUTLET TUBE DOMOBAR GROUP SUPER P 778	DA Floor
13	TUBIP736	TUBE FROM FLANGE TO SOLENOID VALVA P 736	DA 3/4
14	ELETGLDOMMAN	GLIXON DOMOBAR T B/M 150/5C	CE1
15	RACCP429	FITTING REGULATOR GASP 429	Cab1-D4-I
16	RACCP733	DOSING FITTING P 733	Cab1-D7-B
17	TUBICU18X18	CURVE 1.8/1.8 FOR DOM. CUR1/8MMDOM	
18	TUBIFLINDOKIR	INOX FLEXIBLE TUBE DOMOBAR S D.N6 1/8 FC X	CCfloor
19	RACCTMMM	FITTING T MMM 464	
20	CALDDOMOSUP	BOILER DOMOBAR SUPER	
21	RACCTFFF	FITTING T FFF 461	
22	ELETELE2AU22	WATER SOLENOID VALVE 2 WAYS D.3	Cab1-D10-C
23	ELETELE2UAU22	AUTOLEVEL SOLENOID 2 WAYS D.01,5	Cab1-D10-H
24	ELETRESSM1822	SEMI PROF. ELEMENT 1/4 1800W 230V	DA 3/3
25	GUARRESPICTEF	TEFLON GASKET FOR ELEMENT PICC 53X42X3	Cab1-D8-D
26	RACCELETDOMSU	ELEMENT REDUCTION DOMOBAR SUPER	
27	VALVNORITDOM	NOT RETURN HEXAGONAL VALVE G1/8	Cab1-D6-P
28	TUBIDOMPART3	PARTICULAR DOMOBAR TUBE 3	BC2/4
29	RACCTPLASTICA	PLASTIC T-SHAPED FITTING FOR DOMOBAR	BE2

WATERWORKS NEW DOMOBAR SUPER

Note position 15 &
16 two different
part numbers
RACCP429 flange
RACCP733 olive,
see image.

WATERWORKS NEW DOMOBAR SUPER



parts
2015-02-03 13:07:34

RACCP430VAL

DOMOBAR SUPER

POS.	PART NO.	DESCRIPTION	Bin
30	TUBIP850	SOLENOID VALVE TUBE DOMOBAR SUPER NEW	BC2/4
31	RACCP428	FITTING FOR OUTLET TUBE P 428	BE2
32	RACCP430	INJECTOR FITTING L 1/4 LENGHT	
33	TUBCOLLDOMSUP	TUBE FROM DOSING TO SOLENOID VALVE P 737	BC2/5
34	VALVCONTRPRESS	VALVE OF AUTOPRIME IN PRESSION	
35	POMPVIBDOM	VIBRATING PUMP FOR DOMOBAR 220V	GREEN 21
36	ANTISUPGOPODO	RUBBER SUPPORTS FOR PUMP DOMOBAR	Cab1-D9-F
37	RACCORDOBAR	FITTING FOR APPLICATION OF WATER NET	
38	TUBIP18X18AZ	NIPILEX 1/8 1/8 AZ XTUBE PL DOM	BE2
39	TERMPROTDOMSU	PROTECTION MICROTHER F11 100 DEGREE	
40	TUBIFLINDOSAR	INOX FEXIBLE TUBE DOMOBAR WATER NET	
41	MATECSIGS800	SMALL SILICONE TUBE DIAM. 5X9X800	
42	RACCDOM18	FITTING 1/8 CARD	BA - end
43	ASSBYPASSNEW	BY PASS FOR NEW DOMOBAR	Cab1-D11-A
44	CORPOBYPASNEW	BY PASS BODY NEW	
45	GUARSILRUDOSU	NEUTRAL SILICONE GASKET 55-60 WATER-	Cab1-D7-F
46	RACCPGUBYPAN	BY PASS GASKET HOLDER	Cab2-D1-E
47	MOLLABYPADOMS	BY PASS SPRING NEW	Cab1-D13-A
48	GUAROR113	GASKET OR 113	Cab1-D8-G
49	VITEREGBYPAS	BY PASS ADJUSTING SCREW NEW	1F
50	RACCALDOMSUAR	FITTING FOR CAHRGING TUBE DOMOBAR WATER	
51	RACCP733	FITTING DOSING P 733	Cab1-D7-B
52	RACCP732	HEXAGONAL FITTING 14 H 46 1/4 X 1/4	
53	ELETCONTVOLOT	VOLUMETRIC BRASS METER	
54	ELETTESTDOS	VOLUMETRIC COUNTER HEAD	
55	ELETVEDO	VENTOLINA PROP. DEVICE	Cab1-D2-G
56	GUARDOS	GASKET OR DOSING	Cab1-D6-D
57	ELETCORPDOS	VOLUMETRIC COUNTING BODY	
58	TUBICOLDOMSAR	MANIFOLD TUBE FOR WATER NET CONNECTION	
59	TUBIP730	TUBE FROM DOSING TO INJECTOR	
60	ELETPREPARKER	PRESSURE SWITCH PARKER	

WATERWORKS NEW DOMOBAR SUPER

RACCP733 olive fitting RACCP429 flange fitting

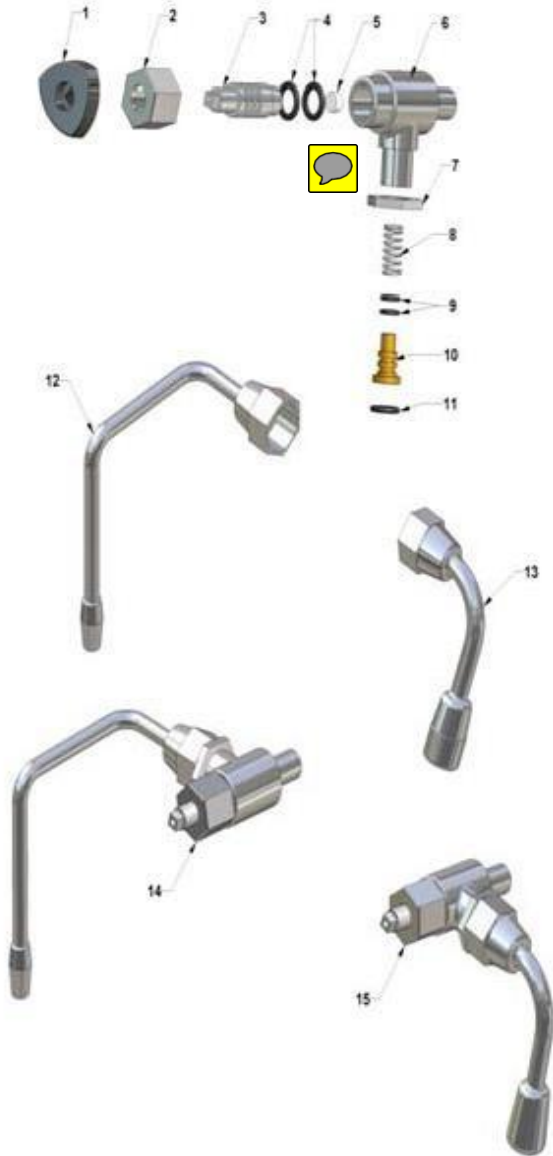


WATER/STEAM TAP NEW DOMOBAR SUPER

parts

2016-10-13 10:31:34

MOLTUVA is incorrect number
should be MOLLTUVA



DOMOBAR SUPER

POS.	PART NO.	DESCRIPTION	Bin
1	MANPRUSC	TAP HAND GRIP	BC3
2	RACCPRGOCR	CHROMED PRESS FITTING	Cab1-D3-A
3	RACCASRUDOSU	TAP ROD DOMOBAR SUPER	Cab2-D2-L
4	GUAROR113	GASKET OR 113	Cab1-D8-G
5	GUARSILRUDOSU	NEUTRAL SILICONE GASKET 55-60 WATER-	Cab1-D7-F
6	RACCCORUDOSU	BODY TAP DOMOBAR SUPER	BE2
7	TUBIP202CR	CHROMED NUT 3/8	
8	MOLTUVA	STEAM TUBE SPRING	
9	GUARR6	GASKET OR 6	Cab1-D6-F
10	RACCBULASF	SPHERE LANCE BUSH	
11	GUAROR113	GASKET OR 113	Cab1-D8-G
12	TUBILADOMSU	STEAM TUBE FOR DOMOBAR SUPER	BE1/1
13	TUBIP727	WATER LANCE	BE1/2
14	RACCRUBDOVACR	STEAM TAP FOR DOMOBAR SUPER	BE3/4
15	RACCRUBDOACCR	WATER TAP	BE3/4

WATER/STEAM TAP NEW DOMOBAR SUPER

DOMOBAR SUPER