



Mechanika V Slim Art-Nr./ Item no. 82045

Ersatzteile / Spare parts

Drawing 1

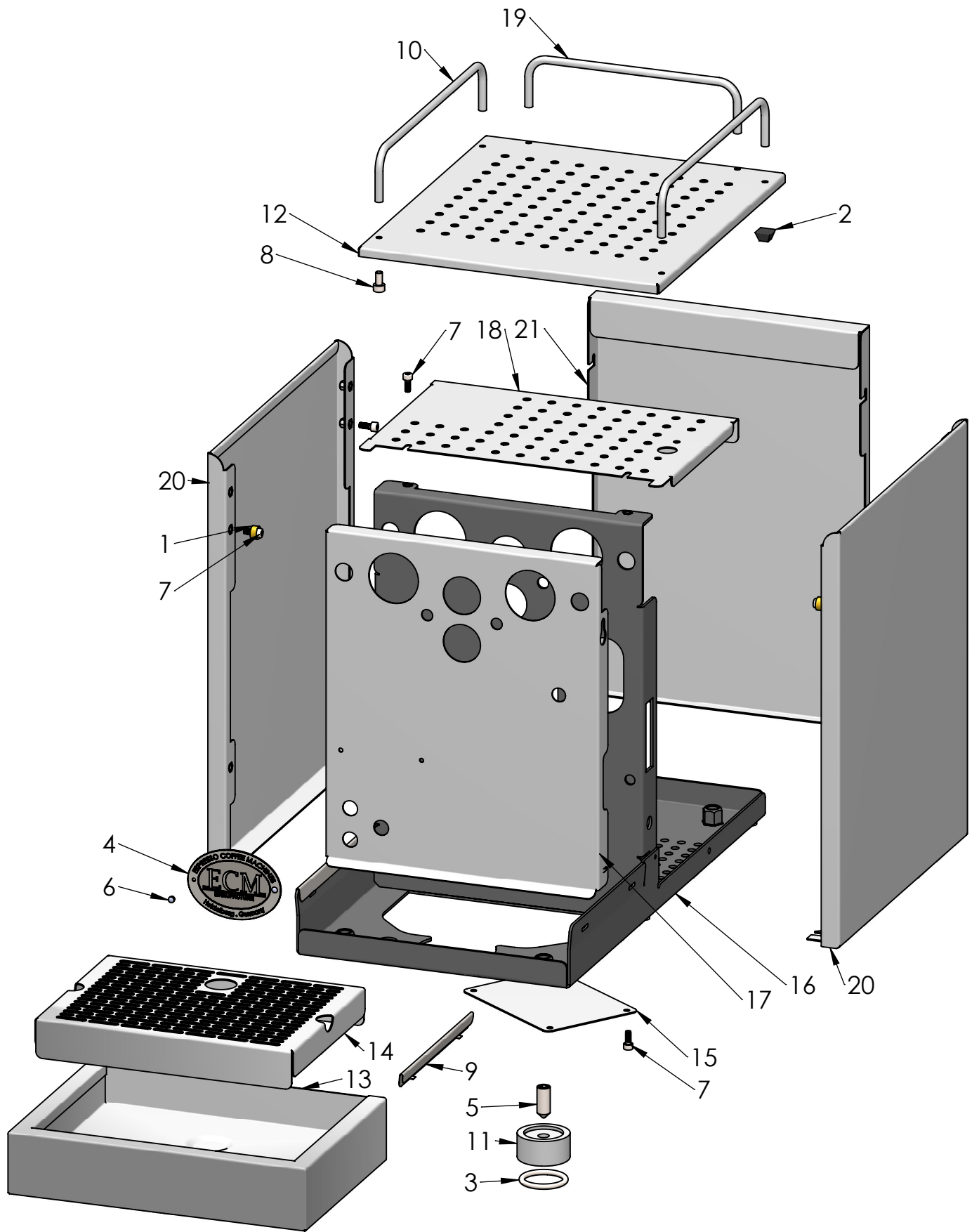


Tabelle 1 / Table 1

Pos	Artikelnr./ item nr.	Bezeichnung	description		Notizen / notices
1	B5220818.1	Buchse D10x4.2 H7 Messing	Brass bushing D10x4.2		
2	B7474212	Fuß Tassenablageblech	Foot for cup warming tray		
3	B7474216.1	O-Ring Fuß 29x4	O-ring foot 29x4		
4	E81000	Emblem	Emblem		
5	P1984	Gewindestift M10x20	Allen screw M10x20		
6	P1998	Blindniet Flachrundkopf 2,4x12	Blind rivet truss head 2,4x12		
7	P2006	Zylinderschraube M4x10	Screw cylinder head M4x10		
8	P2007	Schraube Zylinderkopf M5x10	Screw cylinder head M5x10		
9	P3001.6	Schiene Wasserauffangschale	Guide rail drip tray		
10	P3002	Reling	Railing		
11	P7029	Fuss M10 H20mm	Foot M10 H20mm		
12	P9001	obere Tassenablage	Upper cup warming tray		
13	P9003	Wasserauffangschale	Drip tray		
14	P9004	Gitter Wasserauffangschale	Grid drip tray		
15	P9009	Abdeckung Heizung	Cover Heating element		
16	P9016	Rahmen / Chassis	Chassis		
17	P9017	Frontblech	Front panel		
18	P9018	Untere Tassenablage	Lower cup warming tray		
19	P9028	Reling kurz	Railing		
20	P9029	Seitenwand links/ rechts	Side panel		
21	P9030	Rückwand	Rear panel		

Drawing2

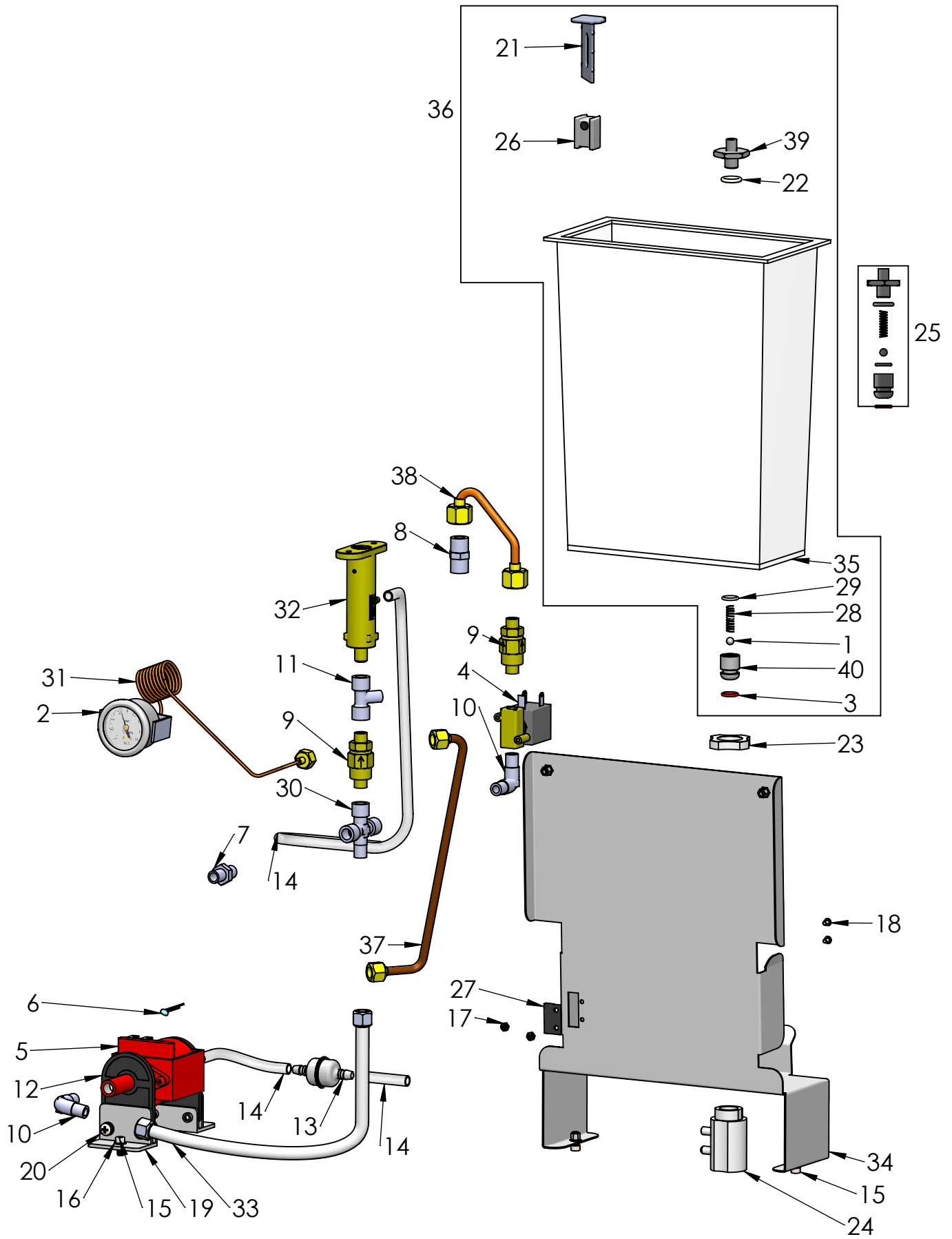


Tabelle 2 / Table 2

Pos	Artikelnr./ item nr.	Bezeichnung	description	Notizen / notices
1	B5471509	Kugel Wassertankverschluss	Ball watertank lock	
2	B7432517	Pumpendruckmanometer Serie IV	Pump pressure gauge series IV	
3	B7496076	Dichtung Wassertankadapter unten	Gasket watertank adapter lower	
4	C199900275	Magnetventil 2-Wege 1/8"FF 230V/50Hz	Solenoid valve 2-ways 1/8"FF 230V/50Hz	
	US1005	Magnetventil 2-Wege 1/8"FF 110V/60Hz	Solenoid valve 2-ways 1/8"FF 110V/60Hz	
5	C199900280	Vibrationspumpe 230V / 50hz	Vibration pump 230V / 50Hz	
	US1001	Vibrationspumpe 120V / 60Hz schwarz	Vibration pump 120V / 60Hz black	
	US1025	Vibrationspumpe 100V rot	Vibration pump 100V red	
6	C199900969	Thermostat Pumpe	Heat sensor Pump	
7	C229900518	Nippel 1/8" M - 1/8" M	Nipple 1/8" M - 1/8" M	
8	C229900520	Nippel 1/4" - 1/4" MM	Nipple 1/4" - 1/4" MM	
9	C229900548	Rückschlagventil 1/8" MM	Non-return valve 1/8" MM	
10	C229900579	L-Verbindungsstück 1/8"M 1/8"M	Elbow 1/8"M 1/8"M	
11	C229900703	T-Stück 1/8" FMF	T-connector 1/8" FMF	
12	C249900770	Halterung Vibrationspumpe oben	Upper bracket vibration pump	
13	C439900695	Filter Wassertank	Filter watertank	
14	C499900769	Silikonschlauch transparent 5x8	Silicon tube transparent 5x8	€/lfm
15	P2006	Zylinderschraube M4x10	Screw cylinder head M4x10	
16	P2009	Unterlegscheibe M4	Flat washer M4	
17	P2019	Mutter M3	Hexagon nut M3	
18	P2064	Schraube Linsenkopf M3x5	Lens head screw M3x5	
19	P3006.K	Halterung Vibrationspumpe unten	Lower bracket vibration pump	
20	P3019	Schraube Pumpenhalterung 4,8x13mm	Screw for bracket 4,8x13mm	
21	P6016	Deckel Schwimmer Wassertank	Cap floater water tank	
22	P6020.3	Dichtung Wassertankadapter oben	Gasket watertank adapter upper	
23	P6020.K3	Mutter M20 Wassertank	Water tank adapter nut M20	
24	P6020.K4	Wassertankadapter M20	Water tank adapter M20	
25	P6020.NK	Wassertankadapter komplett	Water tank adapter complete	
26	P6021	Reed Schwimmer	Reed swimmer	
27	P6022	Reed Sensor Wassermangelabschaltung	Reed sensor low water switch-off	
28	P6023	Feder Wassertankverschluss	Spring water tank lock	
29	P6025	Dichtung Wassertankadapter Mitte	Gasket water tank adapter middle	
30	P6047	Kreuzfitting 1/8" MFFF	Cross fitting 1/8" MFFF	
31	P6051	Kapillarrohr Pumpenmanometer Druck	Capillary tube pump pressure gauge	
32	P7000	Expansionsventil	Expansion valve	
33	P8016	Flexschlauch 1/8" FF 250mm	Flex hose 1/8" FF 250mm	
34	P9007	Wassertankführung	Water tank guide rail	
35	P9010	Wassertank Rohling	Watertank blank	
36	P9010.K1	Wassertank komplett	Watertank complete	
37	P9400	Alimentationsrohr	Downtake tube	
38	P9401	Rohr Befüllung Kessel	Boiler loading tube	
39	P6020	Wassertankadapter Verschraubung	Watertank adapter mounting nut	
40	P6017	Wassertankadapter Stutzen	Water tank valve	

Drawing3

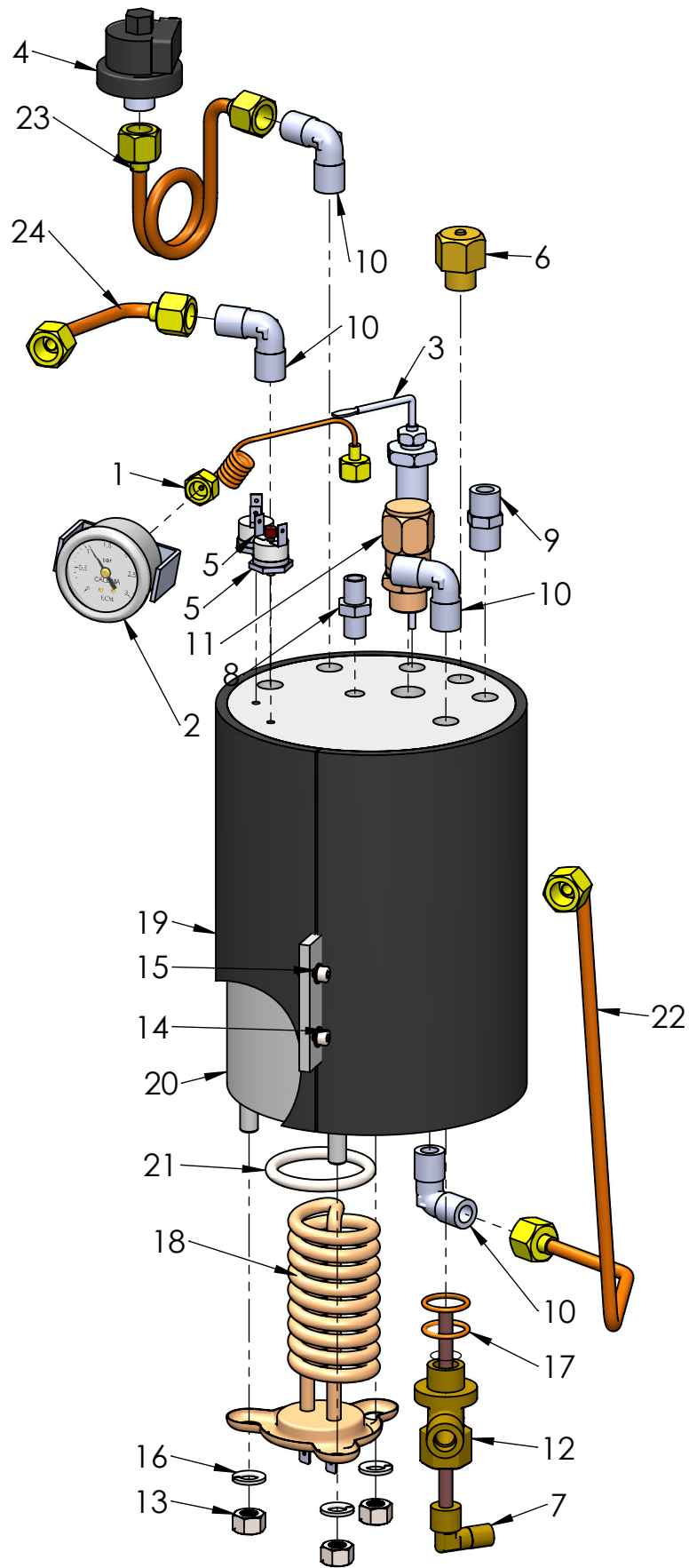


Tabelle 3 / Table 3

Pos	Artikelnr./ item nr.	Bezeichnung	description		Notizen / notices
1	B7400902	Kapillarrohr Kessel	Capillary tube boiler		
2	B7432516	Kesseldruckmanometer	Boiler pressure gauge		
3	C199900214	Füllstandsonde	Filling level control plate		
4	C199900294	Pressostat 0,5bar-1,5bar Mater	Pressure switch 0,5bar-1,5bar Mater		
5	C199901550.1	Sicherheitsthermostat 145°C	Safety thermostat 145°C		
6	C219900561	Antivakuumentil 1/4" M	Anti-vacuum valve 1/4" M		
7	C229900393	Injektionsrohr	Injection pipe		
8	C229900518	Nippel 1/8" M - 1/8" M	Nipple 1/8" M - 1/8" M		
9	C229900520	Nippel 1/4" - 1/4" MM	Nipple 1/4" - 1/4" MM		
10	C229900525	L Verbindungsstück 1/4" M 1/4" M	Elbow 1/4" M 1/4" M		
11	C229900559	Sicherheitsventil 3/8" M 2bar	Safety valve 3/8" M 2bar		
12	C229900740	Verbindungsstück Injektionsrohr	Connection injection pipe		
13	C309900127.2	Sechskantmutter M8 Messing	Hex nut M8 brass		
14	P2006	Zylinderschraube M4x10	Screw cylinder head M4x10		
15	P2009	Unterlegscheibe M4	Flat washer M4		
16	P2011	Federring M8	Spring ring M8		
17	P2045	Kupferdichtung 3/8"	Copper gasket 3/8"		
18	P7014.1	Heizung 230V 1400W	Heating element 230V 1400W		
	US1000	Heizung 110V 1400W	Heating element 110V 1400W		
19	P7049	Kesselisolierung	Boiler isolation		
20	P7080	Kessel	Boiler		
21	P9013	Dichtung Heizung Kessel	Gasket heating element		
22	P9402	Rohr Heißwasserentnahme	Hot water tube		
23	P9403	Rohr Pressostat	Pressure switch tube		
24	P9404	Rohr Dampfentnahme	Steam tube		

Drawing4

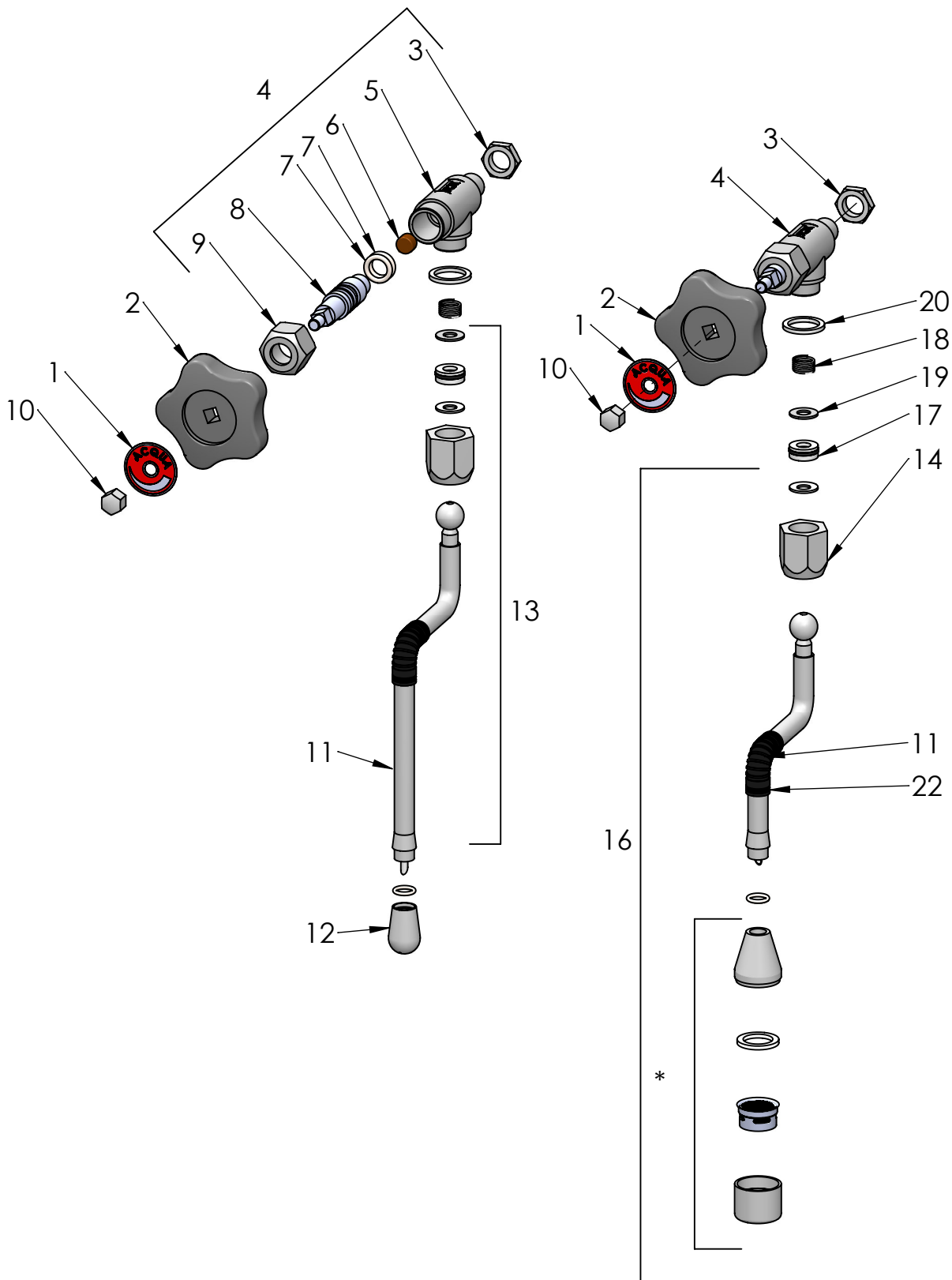


Tabelle 4 / Table 4

Pos	Artikelnr./ item nr.	Bezeichnung	description		Notizen / notices
1	B5522056.1	Scheibe "acqua" rot	Disc "acqua" red		
2	B7371509	Griff Drehventil	Handle rotary valve		
3	C329900682	Mutter (halb) 1/4"	Nut (half) 1/4"		
4	P6000	Drehventil Dampf/Heißwasser	Rotary valve steam/hot water		
5	P6000.1	Ventilkorpus	Valve corpus		
6	P6000.2	Dichtung Ventilschindel	Gasket valve spindle		
7	P6000.3	O-Ring Ventilschindel	O-Ring valve spindle		
8	P6000.4	Schindel Dampf/Heißwasserventil	Spindle steam/hot water valve		
9	P6000.5	Mutter 3/8"	Nut 3/8"		
10	P6000.6	Hutmutter M6	Bow nut M6		
11	P6002.1	Dichtung	Gasket		
12	P6002.4	2-Loch Dampfduse no burn	2-hole steam nozzle		
	P6002.7	3-Loch Dampfduse no burn	3-hole-steam-nozzle		
	P6002.6	4-Loch Dampfduse no burn	4-hole-steam-nozzle		
	P6002.3	5-Loch Dampfduse no burn	5-hole-steam-nozzle		
13	P6005	Dampfrohr komplett mit 2-Loch Düse	Steam lance compl. with 2-hole nozzle		
14	P6005.5	Nuss mit Teflonring	Nut steam with teflon-ring		
15	P6005.6	Teflonring Nuss Dampf / Heißwasser	Teflon-ring nut steam / hot water		
16	P6006	Heißwasserrohr komplett	Hot water tube complete		
17	P6010	Pfanne Teflon	Socket Teflon		
18	P6011	Feder	Spring		
19	P6012	Unterlegscheibe	Washer socket		
20	P6015	Dichtung Übergang Nuss Ventil	Gasket nut valve		
21	P6002.2	Gummiisolation	Rubber isolation		
22	P6002.2	Gummiisolation	Rubber isolation		
23	P6001.1	Heißwasserauslass	Hot water outlet		
24	P6001.2	Sieb Heißwasserauslass	Strainer hot water outlet		

Drawing5

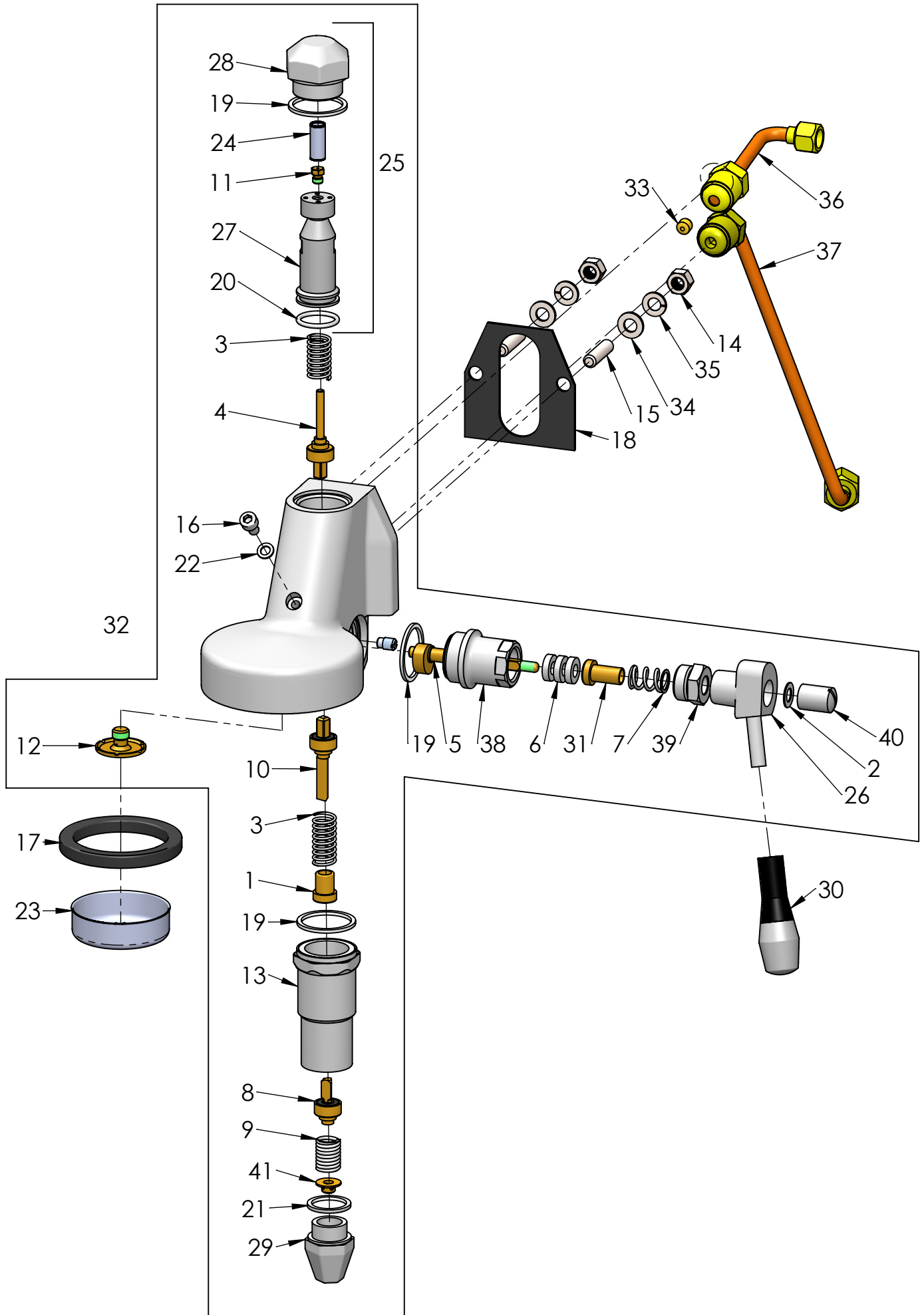


Tabelle 5 / Table 5

Pos	Artikelnr./ item nr.	Bezeichnung	description	Notizen / notices
1	B7479942	Federführung Gruppe	Spring guide group	
2	B7479947	Zahnscheibe M8	Lock washer M8	
3	C219900423	Feder Brühgruppe E61	Spring brew group E61	
4	C219900424	Ventil Brühgruppe E61 oben	Valve brew group E61 upper	
5	C219900425	Achse Brühgruppe E61	Axis brew group E61	
6	C219900426	U-Scheibe Achse Brühgruppe E61	Washer axis brew group E61	
7	C219900427	Feder Achse Brühgruppe E61	Spring axis brew group E61	
8	C219900430	Ventil Brühgruppe E61 unten	Valve group E61 lower	
9	C219900431	Feder unten	Spring lower	
10	C219903081	Ventil Brühgruppe Mitte	Valve brewing group E61 middle	
11	C229900549	Gigleur 0,8	Flow restrictor 0,8	
12	C229901128	Sprühverteiler	Sprayer brew group lower	
13	C229901165	Vorbrühzylinder	Lower sleeve assembly	
14	C309900127.2	Sechskantmutter M8 Messing	Hex nut M8 brass	
15	C309900131	Gewindestift M8 x 31	Allen screw M8 x 31	
16	C309900164	Schraube Zylinder M6 x 10	Screw cylinder M6 x 10	
17	P1021	Gruppendichtung H=8,5mm	Group gasket H=8.5mm	
18	C449900767	Dichtung Brühgruppe am Gehäuse	Gasket brew group / front panel E61	
19	C469900421	Dichtung Teflon 35x30x2	Gasket teflon 35x30x2	
20	C469900422	Dichtung Glocke Brühgruppe	Gasket socket brewing group	
21	C469900783	Dichtung Teflon E61 unten	Teflon gasket brew group E61 lower	
22	C469901132	Teflondichtung 10x6x1	Teflon gasket 10x6x1	
23	C519900103	Duschensieb	Shower screen	
24	C619900554	Metallfilter Gigleur	Inox filter gigleur	
25	P1000.1	E61 Inox Glocke komplett	Socket group stainless steel complete	
26	P1000.2	Brühgruppenbedienhebel	Lever axis group	
27	P1000.3	Brühgruppenzylinder unten	Lower brew group cylinder	
28	P1000.4	Verschraubung Brühgruppenzylinder ECM	Fitting group cylinder ECM	
29	P1000.5	Auslass Gruppe unten	Lower discharge group	
30	P1002	Hebel Gruppe Chrom	Lever handle chrome	
31	P1004	Stutzen Brühgruppe	Spring holder brewing group	
32	P1009	Brühgruppe E61	Brewing group E61	
33	P1910.1	Stauscheibe Ø 2,5mm	Restrictor Ø 2,5mm	
34	P2010	Unterlegscheibe M8	Washer M8	
35	P2011	Federring M8	Spring ring M8	
36	P9405	Rohr Zulauf Brühgruppe	Entry pipe group	
37	P9406	Rohr Rücklauf Brühgruppe	Tube return flow group	
38	R000002142	Flansch	Flange	
39	R000002144	Verschraubung Achse Gruppe	Screw joint axis group	
40	R000002146	Bolzen Hebel	Bolt lever	
41	R000002148	Sprühverteiler unten	Sprayer brew group lower	

Drawing 6

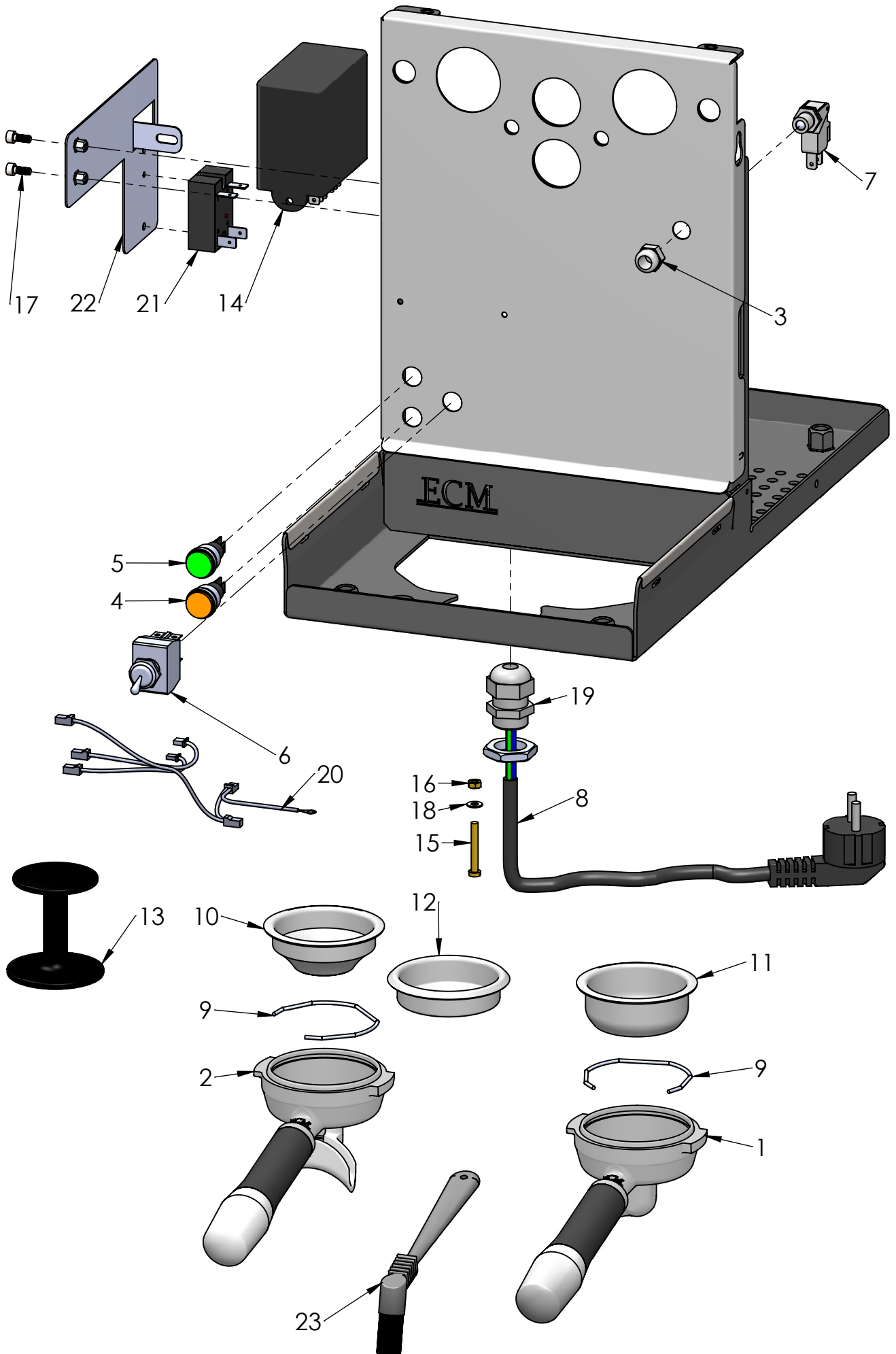


Tabelle 6 / Table 6

Pos	Artikelnr./ item nr.	Bezeichnung	description		Notizen / notices
1	89424	Filterträger 1 Auslauf	Portafilter 1 outlet chrome/black		
2	89425	Filterträger 2 Ausläufe	Portafilter 2 outlets chrome/black		
3	B5221875CM	Mutter Mikroschalter M10 x 0,75	Hexagon nut microswitch M10 x 0,75		
4	B7633617	Kontrolllampe orange	Control lamp orange		
5	B7633618	Kontrolllampe grün	Control lamp green		
6	C199900087	Ein/Ausschalter Metall	Power switch metal		
7	C199900306	Mikroschalter	Microswitch		
8	C199900957	Netzkabel Schuko	Power cable schuko plug		
	P2034	Netzkabel US-Stecker	Power cable US-plug		
	P2035	Netzkabel UK-Stecker	Power cable UK-plug		
	P2036	Netzkabel AU-Stecker	Power cable AU-plug		
9	C619900098	Haltefeder Filterträger	Locking spring portafilter		
10	C619900104	Tassensieb 7g	Cup filter 7g		
11	C619900105	Tassensieb 14g	Cup filter 14g		
12	C619900106	Blindsieb	Blind filter		
13	C639900764	Tamper Kunststoff	Tamper plastic		
14	M2004	Elektronik 240V	Controlbox 240V		
	US1004	Elektronik 115V	Controlbox 115V		
15	P2001	Schraube Messing M4x30	Screw M4x30 Brass		
16	P2002	Mutter M4 Messing	Nut M4 Brass		
17	P2006	Zylinderschraube M4x10	Screw cylinder head M4x10		
18	P2009	Unterlegscheibe M4	Flat washer M4		
19	P2070	Kabelbefestigung mit Mutter	Cable fixing with nut		
20	P2591	Kabelbaum	Cable loom		
21	P6029	Statisches Relais	Static relais		
22	P9019	Halterung Elektronik	Bracket electric		
23	R210	Reinigungspinsel	Cleaning brush		